



Q-CLASSIC-90 ◀ 120 cm ▶



Safe and approved storage of flammable hazardous substances in working areas

Function / construction:

- **Robust construction and longevity:** triple hinged door, safety elements assembled outside the storage compartment for increased protection against corrosion, scratch- and impact-resistant surface, easy to clean
- **Easy handling with comfort:** doors stop in any position, self-closing in the event of fire
- **No unauthorised use:** doors lockable with cylinder locking (integration in an existing locking system possible) and locking state indicator (red/green)
- **Easy transport:** integrated transport base with removable, optional base cover
- **Easy alignment:** adjusting aids to compensate for uneven floor

- **Ventilation:** integrated air ducts ready for connection (DN 75) to a technical exhaust system, spinning wheel in the exhaust grid as an indicator of sufficient technical ventilation

Available equipment:

- Drawers – high storage capacity, optimal use of the available storage capacities
- Sump inliner (PE or PP)
- Shelves with load capacity of 75 kg
- Storage box
- Perforated insert useable as storage area
- Metal-free tray shelves and collecting sumps
- Drawers heavy-duty with load capacity of 100 kg
- Tray shelves with load capacity of 150 kg
- Bottom collecting sump

Safety storage cabinet

Q-CLASSIC-90 model Q90.195.120

body colour anthracite grey (RAL 7016), with wing doors in warning yellow (RAL 1004), interior equipment with 3 x shelf, 1 x perforated insert, 1 x bottom collecting sump (sheet steel powder-coated)

Order No. 30001-040-33635

(base cover and recirculating air filter system optional)



Need to store small quantities of various hazardous materials?

Interior equipment with many variants and dividing walls enable the perfect adjustment to different types of hazardous substances in one cabinet.

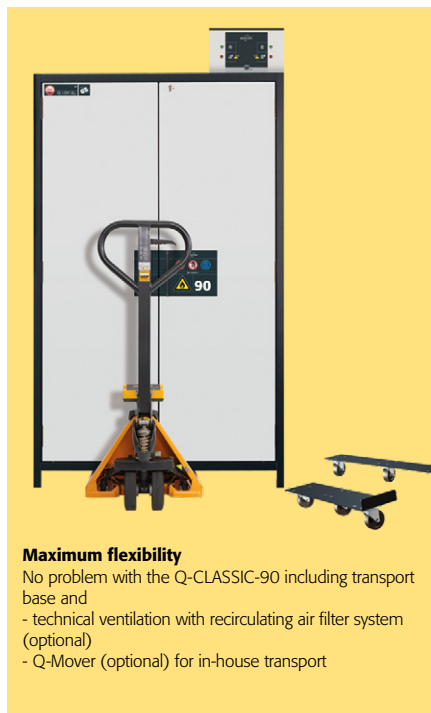


Further information from page 72



Shelf

Height adjustable (32 mm increments), with 30 mm upstand



Maximum flexibility

No problem with the Q-CLASSIC-90 including transport base and
- technical ventilation with recirculating air filter system (optional)
- Q-Mover (optional) for in-house transport



Extraction unit with exhaust air monitoring

Safe ventilation of safety storage cabinets

Plug-in – fast and easy to install

Further information and products from page 505

Order No. 14220

Recirculating air filter system

Avoid complex wall break-throughs and expensive extraction piping

Further information from page 500



Order No. 25099



Safety storage cabinet
Q-CLASSIC-90 model Q90.195.120
 body colour anthracite grey (RAL 7016), with wing doors in light grey (RAL 7035),
 interior equipment with 4 x drawer (sheet steel powder-coated)
Order No. 30001-041-33647
 (base cover optional)

Safety storage cabinet
Q-CLASSIC-90 model Q90.195.120
 body colour anthracite grey (RAL 7016), with wing doors in traffic red (RAL 3020),
 interior equipment with 6 x drawer (sheet steel powder-coated)
Order No. 30001-046-33649
 (base cover and recirculating air filter system optional)

7 door colours are available **at no extra cost**:



Order example - how to order correctly



without interior equipment	Information / equipment	Order No.
Q90.195.120	without interior equipment	30001

Body colour	Door colour	Order No.
Anthracite grey RAL 7016	warning yellow RAL 1004	040
Anthracite grey RAL 7016	light grey RAL 7035	041
Anthracite grey RAL 7016	traffic red RAL 3020	046
Anthracite grey RAL 7016	gentian blue RAL 5010	047
Anthracite grey RAL 7016	reseda green RAL 6011	048
Anthracite grey RAL 7016	asecos silver	049
Anthracite grey RAL 7016	pure white RAL 9010	050

Interior equipment packages (can only be ordered in combination with the cabinet)	Material	Order No.
3x shelf, 1x perforated insert, 1x bottom collecting sump [V=33.0L]	sheet steel powder-coated RAL 7035	33635
4x shelf, 1x perforated insert, 1x bottom collecting sump [V=33.0L]	sheet steel powder-coated RAL 7035	33636
3x shelf, 1x bottom collecting sump [V=33.0L]	sheet steel powder-coated RAL 7035	33637
4x shelf, 1x bottom collecting sump [V=33.0L]	sheet steel powder-coated RAL 7035	33638
3x tray shelf [V=33.0L], 1x perforated insert, 1x bottom collecting sump [V=55.0L]	sheet steel powder-coated RAL 7035	33640
3x shelf, 1x perforated insert, 1x bottom collecting sump [V=33.0L]	stainless steel	33642
4x shelf, 1x perforated insert, 1x bottom collecting sump [V=33.0L]	stainless steel	33643
3x shelf, 1x bottom collecting sump [V=33.0L]	stainless steel	33644
4x shelf, 1x bottom collecting sump [V=33.0L]	stainless steel	33645
3x tray shelf [V=33.0L], 1x bottom collecting sump [V=33.0L]	PP grey	30013
4x tray shelf [V=33.0L], 1x bottom collecting sump [V=33.0L]	PP grey	30014
4x drawer [V=29.0L]	sheet steel powder-coated RAL 7035	33647
5x drawer [V=29.0L]	sheet steel powder-coated RAL 7035	33648
6x drawer [V=29.0L]	sheet steel powder-coated RAL 7035	33649
4x drawer [V=29.0L]	stainless steel	33651
5x drawer [V=29.0L]	stainless steel	33652
6x drawer [V=29.0L]	stainless steel	33653



Individual configuration of model Q90.195.120

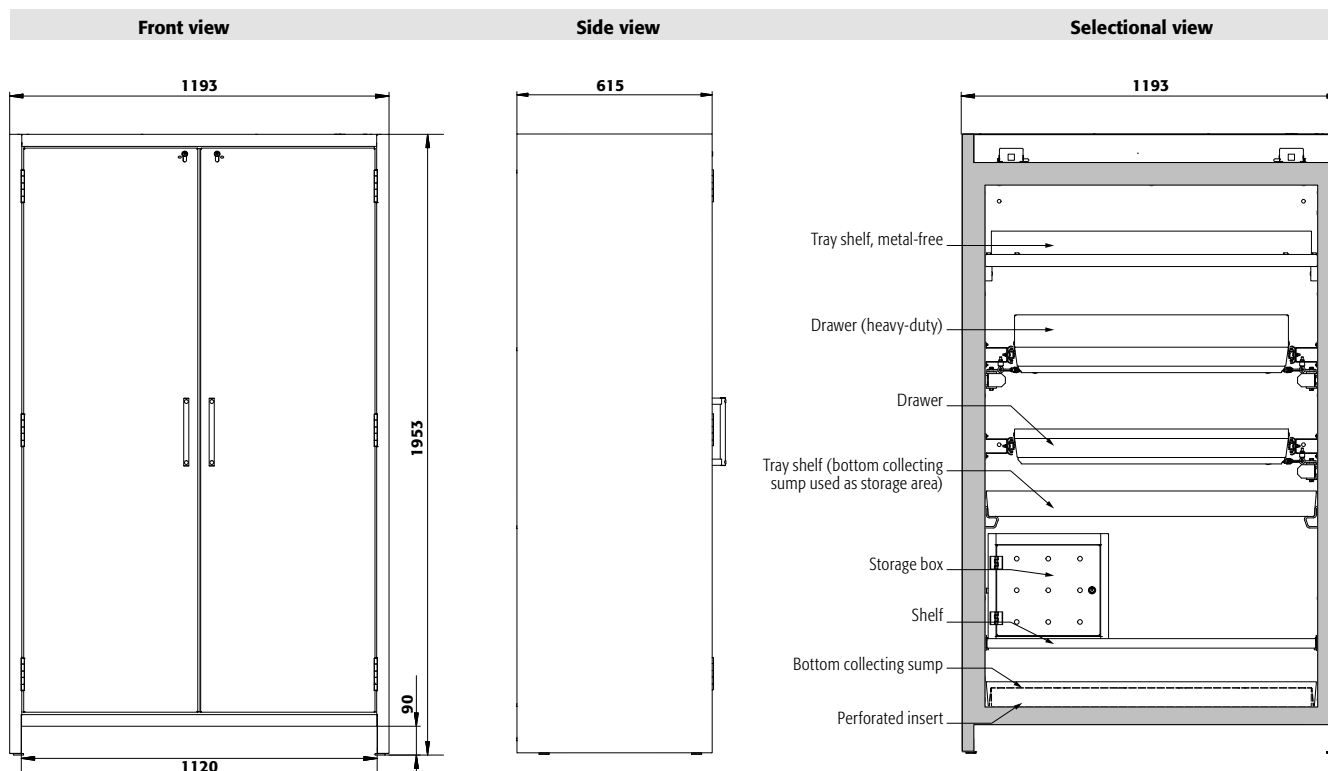
Model	Information / equipment	W x D x H (mm)	Order No.
Q90.195.120	without interior equipment	1193 x 615 x 1953	30001

Body colour	Door colour	Order No.
Anthracite grey RAL 7016	warning yellow RAL 1004	040
Anthracite grey RAL 7016	light grey RAL 7035	041
Anthracite grey RAL 7016	traffic red RAL 3020	046
Anthracite grey RAL 7016	gentian blue RAL 5010	047
Anthracite grey RAL 7016	reseda green RAL 6011	048
Anthracite grey RAL 7016	asecos silver	049
Anthracite grey RAL 7016	pure white RAL 9010	050

Interior equipment	Material	W x D x H (mm)	1)	2)	3)	Order No.
Shelf						
Shelf	sheet steel powder-coated RAL 7035	1040 x 432 x 30*	75.00			30021
	stainless steel	1040 x 432 x 30*	75.00			30024
Tray shelf	sheet steel powder-coated RAL 7035	1022 x 442 x 80*	150.00	33.00	30.00	30028
	stainless steel	1022 x 442 x 80*	150.00	33.00	30.00	30064
Tray shelf metal-free	PP grey	888 x 415 x 107*	50.00	33.00	30.00	30027
Grid as storage level	steel galvanised	1036 x 450 x 30	180.00			27566
Perforated insert						
Perforated insert height = 135 mm	sheet steel powder-coated RAL 7035	1004 x 422 x 135	135.00			14084
	stainless steel	1024 x 417 x 60	75.00			5536
Perforated insert	stainless steel	1024 x 417 x 60	75.00			5773
Bottom collecting sump						
Bottom collecting sump	sheet steel powder-coated RAL 7035	1025 x 445 x 80*		33.00	30.00	33634
	stainless steel	1025 x 445 x 80*		33.00	30.00	33641
Bottom collecting sump capacity 55.5 ltr	sheet steel powder-coated RAL 7035	1016 x 439 x 130*		55.00	50.00	33639
	stainless steel	1022 x 442 x 122*		55.50	50.45	30026
Bottom collecting sump metal-free	PP grey	888 x 415 x 111*		33.00	30.00	33830
Drawer						
Drawer	sheet steel powder-coated RAL 7035	844 x 488 x 90*	60.00	29.00	26.36	30031
	stainless steel	844 x 488 x 90*	60.00	29.00	26.36	30033
Drawer (heavy duty)	sheet steel powder-coated RAL 7035	843 x 487 x 162*	100.00	66.00	60.00	30032
	stainless steel	843 x 487 x 162*	100.00	66.00	60.00	30034
Accessories						
Storage box left hinged	sheet steel powder-coated RAL 7035	380 x 420 x 360				30029
Storage box right hinged	sheet steel powder-coated RAL 7035	380 x 420 x 360				30030
Sump inliner for shelf	PE black	1000 x 392 x 50*		18.00	16.36	7223
Sump inliner for drawer	PP grey	834 x 450 x 96*		33.50	30.45	10054
Anti-slip rubber mat for drawer	black	840 x 490 x 1				8699
Pipe lead-through	sheet steel powder-coated RAL 7035	182 x 104 x 48				30035
Base cover	sheet steel powder-coated textured RAL 7016	1118 x 35 x 85				30036
Q-mover 2 pieces	steel powder-coated textured RAL 7016	600 x 140 x 130				30037
Box for chemicals	PP blue	410 x 300 x 260				30038
Document holder DIN A5	polystyrene					30793

Ventilation	Order No.
Recirculating air filter system with exhaust air monitoring	25099
Extraction unit without exhaust air monitoring	14218
Extraction unit with exhaust air monitoring	14220

* usable storage space W x D (mm)
 1) load capacity (kg), 2) retention capacity (ltr), 3) maximum container volume in the cabinet (ltr)



Technical data

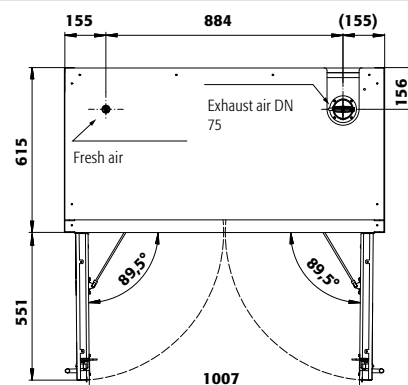
Q90.195.120

External dimensions W x D x H	mm	1193 x 615 x 1953
Internal dimensions W x D x H	mm	1050 x 522 x 1647
Weight without interior equip.	kg	424
Air change 10 times	m ³ /h	9
Diff. pressure (air change 10 times)	Pa	5
Diff. pressure (air change 10 times EK5/AK4)	Pa	5
Maximum load	kg	600
Distributed load	kg/m ²	531

Transport base

Entry height transport base	mm	90
Entry width transport base	mm	1120

Top view



Q90.195.120

Drawers/number

	Standard storage heights of the drawers									
	9	8	7	6	5	4+1	4	3+1	3	2
Distance ⑨ (mm)	150									
Distance ⑧ (mm)	135	150								
Distance ⑦ (mm)	135	170	150							
Distance ⑥ (mm)	135	170	200	250						
Distance ⑤ (mm)	135	170	200	230	280	250				
Distance ④ (mm)	135	170	200	230	295	230	345			
Distance ③ (mm)	135	170	200	230	295	230	360	440		
Distance ② (mm)	170	170	200	230	295	230	360	520	920	
Distance ① (mm)	230	230	265	265	295	520	425	550	615	

Q90.195.120

Shelves/number

	Standard storage heights of the shelves		
	4	3	2
Distance ④ (mm)	370		
Distance ③ (mm)	285	400	
Distance ② (mm)	315	380	
Distance ① (mm)	315	410	

Q90.195.120

Quantity

	Storage capacities per drawer/type of container	
	Type of container	Container size
90	Aerosol cans	400 ml
40	Cans	1 litre
40	Laboratory glass bottles	1 litre
40	Laboratory PE-bottles	1 litre
15	Laboratory glass bottles	2.5 litres

