



Safe and approved storage of aggressive, non flammable hazardous materials in working areas

Function / construction:

- **Robust construction and longevity:** cabinet body made of powder-coated sheet steel, safety elements assembled outside the storage compartment for increased protection against corrosion
- **Two in one:** two hermetically separated storage compartments allow the isolated storage of acids and bases in one cabinet
- **No unauthorised use:** doors lockable with profile cylinder (integration in an existing locking system possible)

- **Easy alignment:** adjusting aids to compensate for uneven floor
- **ventilation:** integrated metal-free air ducts ready for connection to a technical exhaust system with only one extraction air inlet

Available equipment:

- Bottom collecting sump PE (V=68 ltr.) with grid
- Shelf with plastic sump (V=33.5 ltr.) and grid
- Storage box for hydrofluoric acid, lockable separately with corrosion-resistant sump
- Pull-out shelves with removable plastic sump

Cabinet for acids and alkalis
SL-CLASSIC model SL.196.060.MH
 light grey (RAL 7035), interior equipment with 6 x pull-out shelf (panel melamine resin-coated/PP)
Order No. 30612-001-30615 4



Are you aware of our FlameFlex and ChemFlex cabinets?

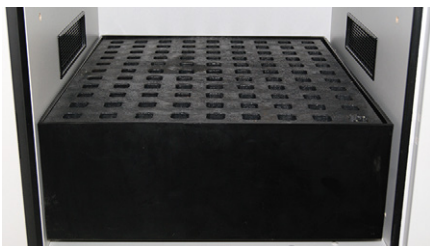
Safety storage cabinets and recirculating air filter system — all in one!
 Avoid complex wall and ceiling openings and long exhaust air ducts.



Further information on these models from page 448



Drawer
 Sturdy construction with removable plastic sump



Sump pallet
 For the storage of bulk containers, available as fixed storage level with plastic sump (V=33.5 ltr.) or bottom collecting sump (V=68 ltr.)

SL.196.060.MH(R)
standard storage heights for pull-out shelves

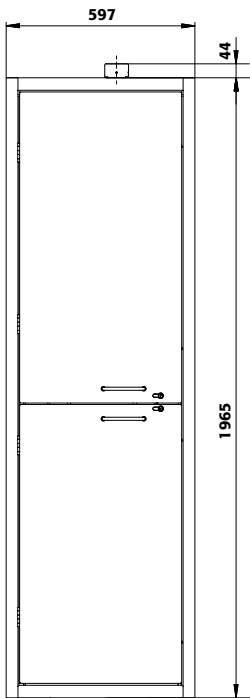
Pull-out shelves/number	6	5	4
Distance 6 (mm)	260		
Distance 5 (mm)	280	260	
Distance 4 (mm)	280	280	420
Distance 3 (mm)	165	280	420
Distance 2 (mm)	280	325	325
Distance 1 (mm)	280	420	420



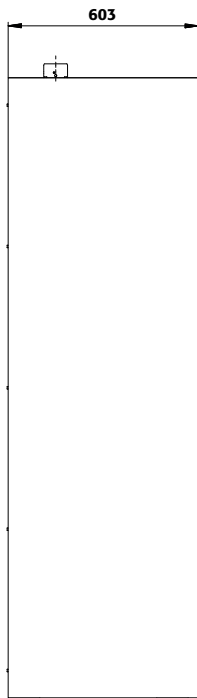
Storage box for hydrofluoric acid
 Safe storage of dangerous hydrofluoric acid in separately lockable storage box, including a corrosion-resistant polypropylene sump



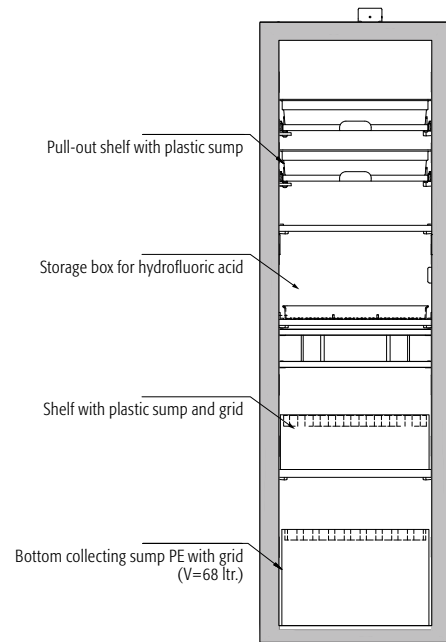
Front view



Side view



Selectional view



Technical data

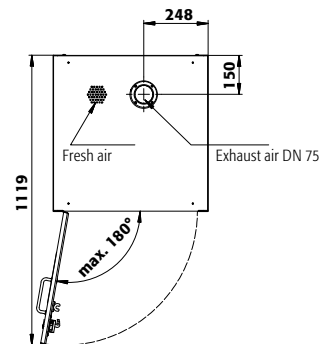
External dimensions W x D x H
Internal dimensions W x D x H

Extraction air
Weight without interior equip.
Air change **30 times**
Diff. pressure (air change **30 times**)
Distributed load
Maximum load

SL.196.060.MH

mm 597 x 603 x 1965
mm top: 485 x 570 x 914
bottom: 485 x 570 x 833
DN 75
kg 125
m³/h 8
Pa 40
kg/m² 444
kg 300

Top view



Available colours:



Order example - how to order correctly



Model	Information / equipment	Order No.
SL.196.060.MH	without interior equipment, left hinged, with horizontal dividing wall	30612
SL.196.060.MHR	without interior equipment, right hinged, with horizontal dividing wall	30613

Body colour	Door colour	Order No.
Light grey RAL 7035	light grey RAL 7035	001 4
Laboratory white (sim. RAL 9016)	laboratory white (sim. RAL 9016)	005 4

Interior equipment packages (can only be ordered in combination with the cabinet)	Material	Order No.
Top: 2x pull-out shelf (V=11.0L) Bottom: 2x pull-out shelf (V=11.0L)	panel melamine resin-coated/PP grey	30614 30614 2
Top: 3x pull-out shelf (V=11.0L) Bottom: 3x pull-out shelf (V=11.0L)	panel melamine resin-coated/PP grey	30615 30615 2
Top: 1x pull-out shelf (V=11.0L), 1x storage box for hydrofluoric acid (V=70L) Bottom: 2x pull-out shelf (V=11.0L)	panel melamine resin-coated/PP grey, panel melamine resin-coated/PE grey	37217 37220 6
Top: 1x pull-out shelf (V=11.0L), 1x storage box for hydrofluoric acid (V=70L) Bottom: 3x pull-out shelf (V=11.0L)	panel melamine resin-coated/PP grey, panel melamine resin-coated/PE grey	37218 37221 6
Top: 2x pull-out shelf (V=11.0L), 1x storage box for hydrofluoric acid (V=70L) Bottom: 3x pull-out shelf (V=11.0L)	panel melamine resin-coated/PP grey, panel melamine resin-coated/PE grey	37219 37222 6

Interior equipment	Material	W x D x H (mm)	1)	2)	3)	Order No.
Sump pallet on shelf with grid	PE	459 x 555 x 167*	70.00	33.50	30.45	30610 2
Sump pallet with grid	PE	454 x 538 x 314*		68.00	61.82	30611 6
Pull-out shelf with PP-sump	panel melamine resin-coated/PP grey	407 x 468 x 80*	25.00	11.00	10.00	30609 2
Document holder DIN A5	polystyrene					30793 2

Accessories	Order No.
Extraction unit without exhaust air monitoring	14218 2

* usable storage space W x D (mm)
1) load capacity (kg), 2) retention capacity (ltr), 3) maximum container volume in the cabinet (ltr)