



**Safety storage cabinet**

**Q-CLASSIC-90 model Q90.195.060**

body colour anthracite grey (RAL 7016), with wing door in warning yellow (RAL 1004), interior equipment with 3 x shelf, 1 x perforated insert, 1 x bottom collecting sump (sheet steel powder-coated)

**Order No. 30072-040-33600**

(base cover optional)



**Safe and approved storage of flammable hazardous substances in working areas**

**Function / construction:**

- **Robust construction and longevity:** triple hinged door, safety elements assembled outside the storage compartment for increased protection against corrosion, scratch- and impact-resistant surface, easy to clean
- **Easy handling with comfort:** door stops in any position, self-closing in the event of fire
- **No unauthorised use:** door lockable with cylinder locking (integration in an existing locking system possible) and locking state indicator (red/green)
- **Easy transport:** integrated transport base with removable, optional base cover
- **Easy alignment:** adjusting aids to compensate for uneven floor

- **Ventilation:** integrated air ducts ready for connection (DN 75) to a technical exhaust system, spinning wheel in the exhaust grid as an indicator of sufficient technical ventilation

**Available equipment:**

- Drawers – high storage capacity, optimal use of the available storage capacities
- Sump inliner (PE or PP)
- Shelves with load capacity of 75 kg
- Storage box
- Perforated insert useable as storage area
- Metal-free tray shelves and collecting sumps
- Tray shelves with load capacity of 150 kg
- Bottom collecting sump



**Are you looking for an appropriate storage solution for hazardous materials?**

Our optimised online product configurator helps you, step by step, to find the suitable safety storage cabinet.

Take the test:  
[www.asecos-configurator.com](http://www.asecos-configurator.com)



**Shelf**

Height adjustable (32 mm increments), with 30 mm upstand



**Maximum flexibility**

No problem with the Q-CLASSIC-90 including transport base and  
- technical ventilation with recirculating air filter system (optional)  
- Q-Mover (optional) for in-house transport



**Drawers**

High storage capacity  
Ideal for the storage of small containers



**Metal-free interior equipment**

Ideal for the storage of flammable, aggressive hazardous substances. Tray shelves with chemical resistant surface lamination and removeable plastic sump, bottom collecting plastic sump.



**Safety storage cabinet**

**Q-CLASSIC-90 model Q90.195.060**

body colour anthracite grey (RAL 7016), with wing door in traffic red (RAL 3020), interior equipment with 4 x drawer (sheet steel powder-coated)

**Order No. 30072-046-33608**

(base cover optional)

**Safety storage cabinet**

**Q-CLASSIC-90 model Q90.195.060**

body colour anthracite grey (RAL 7016), with wing door in gentian blue (RAL 5010), interior equipment with 6 x drawer (sheet steel powder-coated)

**Order No. 30072-047-33610**

(base cover and recirculating air filter system optional)

7 door colours are available at no extra cost:



Order example - how to order correctly



	without interior equipment	Information / equipment	Order No.
	Q90.195.060	without interior equipment, left hinged	30072
	Q90.195.060.R	without interior equipment, right hinged	30073

	Body colour	Door colour	Order No.
	Anthracite grey RAL 7016	warning yellow RAL 1004	040
	Anthracite grey RAL 7016	light grey RAL 7035	041
	Anthracite grey RAL 7016	traffic red RAL 3020	046
	Anthracite grey RAL 7016	gentian blue RAL 5010	047
	Anthracite grey RAL 7016	reseda green RAL 6011	048
	Anthracite grey RAL 7016	asecos silver	049
	Anthracite grey RAL 7016	pure white RAL 9010	050

	Interior equipment packages (can only be ordered in combination with the cabinet)	Material	Order No.
	3x shelf, 1x perforated insert, 1x bottom collecting sump (V=22.0L)	sheet steel powder-coated RAL 7035	Door hinge: left right 33600 34371
	4x shelf, 1x perforated insert, 1x bottom collecting sump (V=22.0L)	sheet steel powder-coated RAL 7035	33602 34372
	3x shelf, 1x bottom collecting sump (V=22.0L)	sheet steel powder-coated RAL 7035	33603 34373
	4x shelf, 1x bottom collecting sump (V=22.0L)	sheet steel powder-coated RAL 7035	33604 34374
	3x tray shelf (V=11.5L), 1x perforated insert, 1x bottom collecting sump (V=33.0L)	sheet steel powder-coated RAL 7035	33606 34375
	3x shelf, 1x perforated insert, 1x bottom collecting sump (V=22.0L)	stainless steel	30081 33412
	4x shelf, 1x perforated insert, 1x bottom collecting sump (V=22.0L)	stainless steel	30082 33413
	3x shelf, 1x bottom collecting sump (V=22.0L)	stainless steel	30083 33414
	4x shelf, 1x bottom collecting sump (V=22.0L)	stainless steel	30084 33415
	3x tray shelf (V=11.5L), 1x perforated insert, 1x bottom collecting sump (V=33.0L)	stainless steel	30085 33416
	3x tray shelf (V=11.0L), 1x bottom collecting sump (V=11.0L)	PP grey	30086 33417
	4x tray shelf (V=11.0L), 1x bottom collecting sump (V=11.0L)	PP grey	30087 33418
	4x drawer (V=4.5L)	sheet steel powder-coated RAL 7035	33608 34376
	5x drawer (V=4.5L)	sheet steel powder-coated RAL 7035	33609 34377
	6x drawer (V=4.5L)	sheet steel powder-coated RAL 7035	33610 34378
	3x drawer (V=4.5L), 1x drawer (disposal) (V=75L), 1x bottom collecting sump (V=22.0L)	sheet steel powder-coated RAL 7035	30091 33422
	4x drawer (V=4.5L), 1x drawer (disposal) (V=75L), 1x bottom collecting sump (V=22.0L)	sheet steel powder-coated RAL 7035	30092 33423
	4x drawer (V=4.5L)	stainless steel	33616 34381
	5x drawer (V=4.5L)	stainless steel	33617 34382
	6x drawer (V=4.5L)	stainless steel	33618 34383
	3x drawer (V=4.5L), 1x drawer (disposal) (V=75L), 1x bottom collecting sump (V=22.0L)	stainless steel	30096 33427
	4x drawer (V=4.5L), 1x drawer (disposal) (V=75L), 1x bottom collecting sump (V=22.0L)	stainless steel	30097 33428



## Individual configuration of model Q90.195.060

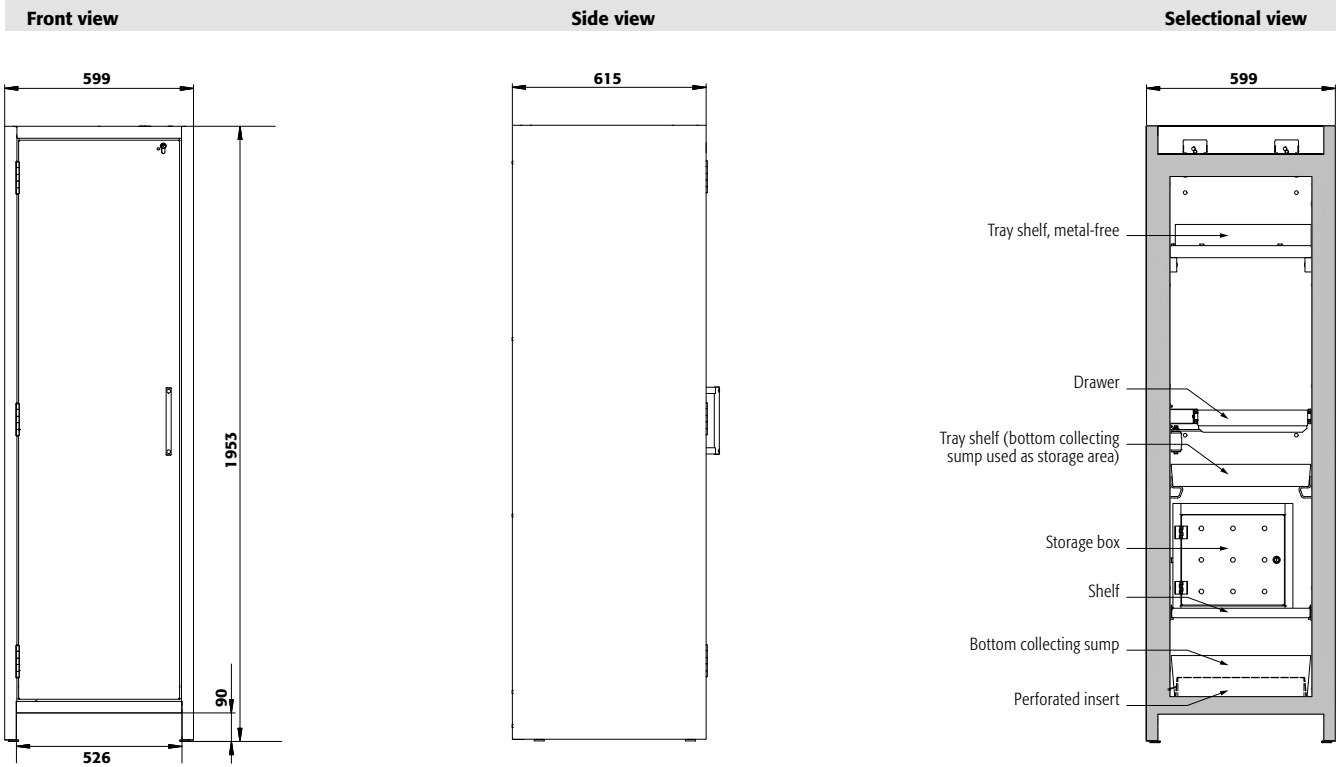
Model	Information / equipment	W x D x H (mm)	Order No.
Q90.195.060	without interior equipment, left hinged	599 x 615 x 1953	30072
Q90.195.060.R	without interior equipment, right hinged	599 x 615 x 1953	30073

Body colour	Door colour	Order No.
Anthracite grey RAL 7016	warning yellow RAL 1004	040 <a href="#">4</a>
Anthracite grey RAL 7016	light grey RAL 7035	041 <a href="#">4</a>
Anthracite grey RAL 7016	traffic red RAL 3020	046 <a href="#">4</a>
Anthracite grey RAL 7016	gentian blue RAL 5010	047 <a href="#">4</a>
Anthracite grey RAL 7016	reseda green RAL 6011	048 <a href="#">4</a>
Anthracite grey RAL 7016	asecos silver	049 <a href="#">4</a>
Anthracite grey RAL 7016	pure white RAL 9010	050 <a href="#">4</a>

Interior equipment	Material	W x D x H (mm)	1)	2)	3)	Order No.		
<b>Shelf</b>								
	Shelf	sheet steel powder-coated RAL 7035	440 x 432 x 30*	75.00		Door hinge: left right		
		stainless steel	440 x 432 x 30*	75.00		30098	30098 <a href="#">2</a>	
	Tray shelf	sheet steel powder-coated RAL 7035	427 x 442 x 70*	150.00	11.50	10.45	30102	30102 <a href="#">2</a>
		stainless steel	427 x 442 x 70*	150.00	11.50	10.45	30099	30099 <a href="#">2</a>
	Tray shelf metal-free	PP grey	370 x 417 x 89*	50.00	11.00	10.00	30103	30103 <a href="#">6</a>
	Tray shelf metal-free	PP grey	370 x 417 x 89*	50.00	11.00	10.00	30106	30106 <a href="#">2</a>
<b>Perforated insert</b>								
	Perforated insert	sheet steel powder-coated RAL 7035	420 x 439 x 60	75.00			5555	5555 <a href="#">2</a>
		stainless steel	420 x 439 x 60	75.00			5776	5776 <a href="#">2</a>
	Perforated insert height = 180 mm	sheet steel powder-coated RAL 7035	438 x 453 x 180	75.00			17693	17693 <a href="#">4</a>
		stainless steel	438 x 453 x 170	75.00			10254	10254 <a href="#">4</a>
	Perforated insert height = 170 mm	sheet steel powder-coated RAL 7035	438 x 453 x 180	75.00			17693	17693 <a href="#">4</a>
		stainless steel	438 x 453 x 170	75.00			10254	10254 <a href="#">4</a>
<b>Bottom collecting sump</b>								
	Bottom collecting sump	stainless steel	415 x 480 x 127*	22.00	20.00		30104	30104 <a href="#">2</a>
		sheet steel powder-coated RAL 7035	442 x 457 x 130	22.00	20.00		33594	33594 <a href="#">2</a>
	Bottom collecting sump height = 170 mm	stainless steel	439 x 504 x 171*	33.00	30.00		30105	30105 <a href="#">6</a>
		sheet steel powder-coated RAL 7035	439 x 454 x 180*	33.00	30.00		33605	33605 <a href="#">2</a>
	Bottom collecting sump height = 180 mm	sheet steel powder-coated RAL 7035	439 x 454 x 180*	33.00	30.00		33605	33605 <a href="#">2</a>
	Bottom collecting sump metal-free	PP grey	449 x 505 x 94		11.00	10.00	33828	33828 <a href="#">2</a>
<b>Drawer</b>								
	Drawer	sheet steel powder-coated RAL 7035	345 x 500 x 50*	25.00	4.50	4.09	30108	33383 <a href="#">2</a>
		stainless steel	345 x 500 x 50*	25.00	4.50	4.09	30110	33396 <a href="#">2</a>
	Drawer (disposal)	sheet steel powder-coated RAL 7035	329 x 502 x 50*	50.00	7.50	6.82	30109	33399 <a href="#">2</a>
		stainless steel	329 x 502 x 50*	50.00	7.50	6.82	30111	33400 <a href="#">2</a>
<b>Accessories</b>								
	Storage box left hinged	sheet steel powder-coated RAL 7035	380 x 420 x 360				30029	30029 <a href="#">2</a>
	Sump inliner	PP grey	353 x 406 x 88*		11.50	10.45	9706	9706 <a href="#">2</a>
	Sump inliner for drawer disposal	PP black	313 x 413 x 175*		18.50	16.82	18474	18474 <a href="#">2</a>
	Sump inliner for drawer	PP undyed	318 x 449 x 66*		8.50	7.73	18472	18472 <a href="#">2</a>
	Anti-slip rubber mat for drawer supply	black	495 x 340 x 1				8719	8719 <a href="#">2</a>
	Pipe lead-through	sheet steel powder-coated RAL 7035	182 x 104 x 48				30035	30035 <a href="#">2</a>
	Storage box right hinged	sheet steel powder-coated RAL 7035	380 x 420 x 360				30030	30030 <a href="#">2</a>
	Base cover	sheet steel powder-coated textured RAL 7016	524 x 35 x 85				30112	30112 <a href="#">2</a>
	Q-mover 2 pieces	steel powder-coated textured RAL 7016	600 x 140 x 130				30037	30037 <a href="#">2</a>
	Box for chemicals	PP blue	410 x 300 x 260				30038	30038 <a href="#">2</a>
	Document holder DIN A5	polystyrene					30793	30793 <a href="#">2</a>

Ventilation	Order No.
Extraction unit without exhaust air monitoring	14218 <a href="#">2</a>
Recirculating air filter system with exhaust air monitoring	25099 <a href="#">2</a>
Extraction unit with exhaust air monitoring	14220 <a href="#">2</a>

\* usable storage space W x D (mm)  
 1) load capacity (kg), 2) retention capacity (ltr), 3) maximum container volume in the cabinet (ltr)

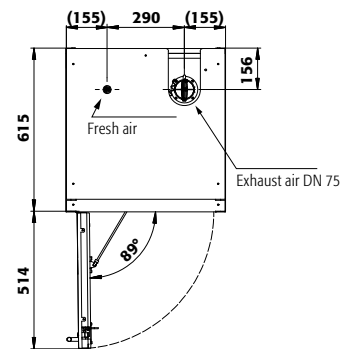


**Technical data**

**Q90.195.060**

External dimensions W x D x H	mm	599 x 615 x 1953
Internal dimensions W x D x H	mm	450 x 522 x 1647
Weight without interior equip.	kg	265
Air change <b>10 times</b>	m <sup>3</sup> /h	4
Diff. pressure (air change <b>10 times</b> )	Pa	5
Diff. pressure (air change <b>10 times EK5/AK4</b> )	Pa	5
Maximum load	kg	600
Distributed load	kg/m <sup>2</sup>	894
<b>Transport base</b>		
Entry height transport base	mm	90
Entry width transport base	mm	526

**Top view**



Q90.195.060 Drawers/number	Standard storage heights of the drawers									
	9	8	7	6	5	4+1	4	3+1	3	2
Distance 9 (mm)	145									
Distance 8 (mm)	135	145								
Distance 7 (mm)	135	170	240							
Distance 6 (mm)	135	170	230	240						
Distance 5 (mm)	135	170	200	230	275	145				
Distance 4 (mm)	135	170	200	230	265	230	340	275		
Distance 3 (mm)	135	170	170	230	330	230	360	295	435	
Distance 2 (mm)	170	170	170	230	265	230	360	295	520	915
Distance 1 (mm)	230	230	200	265	330	475	425	475	550	615

Q90.195.060 Shelves/number	Standard storage heights of the shelves		
	4	3	2
Distance 4 (mm)	370		
Distance 3 (mm)	285	400	
Distance 2 (mm)	315	380	
Distance 1 (mm)	315	410	

Q90.195.060 Quantity	Storage capacities per drawer/type of container	
	Type of container	Container size
30	Aerosol cans	400 ml
12	Cans	1 litre
12	Laboratory glass bottles	1 litre
12	Laboratory PE-bottles	1 litre
6	Laboratory glass bottles	2.5 litres

