



BIG BERTHA HOOD

Safety, Flexibility, Containment



ACS
REGISTRARS
Health & Safety
OHSAS 18001

ACS
REGISTRARS
Quality Assurance
ISO 9001

bizSAFE
S T R



CONTENTS

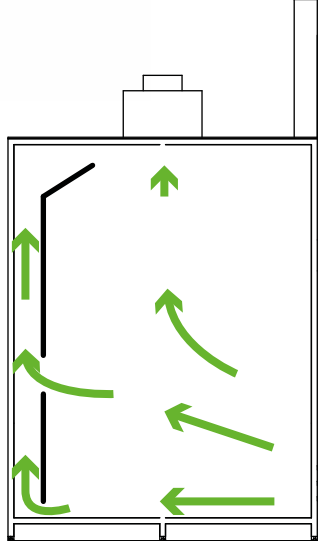
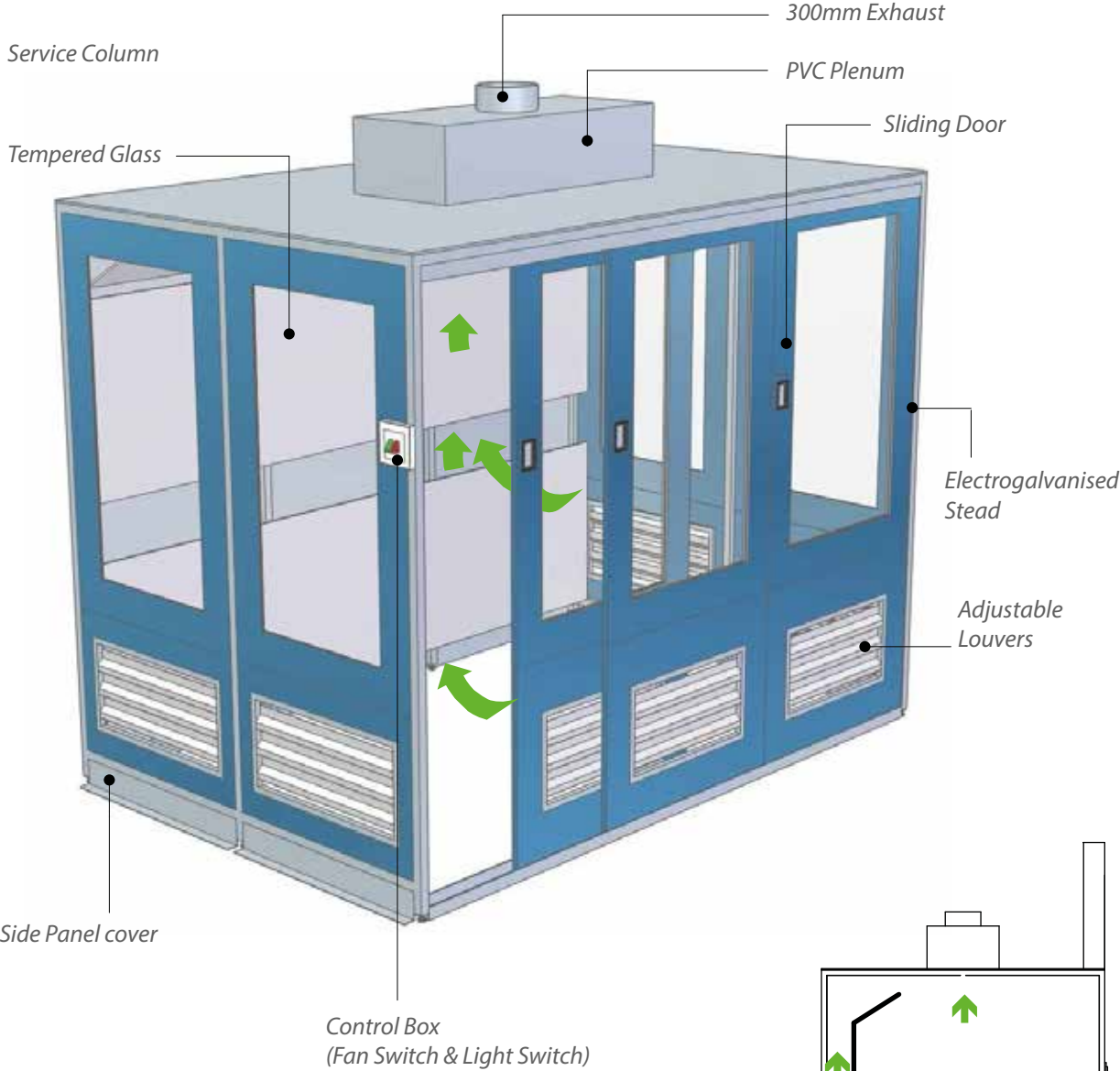
Features	3
Build Components	4
Model	5
Technical Drawings (AD3012BBH)	6
Technical Drawings (AD3020BBH)	7
Technical Drawings (AD4012BBH)	8
Technical Drawings (AD4020BBH)	9
Options & Accessories	10
Warranty	11

Big Bertha Fume Hood Features

- Industrial grade electrogalvanised steel construction
- Heavy epoxy powder coated finish to withstand harsh laboratory environments
- Phenolic resin baffle with built in slots for efficient scavenging
- Purpose built light box external to airflow, preventing any corrosion and minimizing turbulence
- Electronic light ballast for flicker free usage and user eye comfort



Build Components



Airflow Illustration

Model

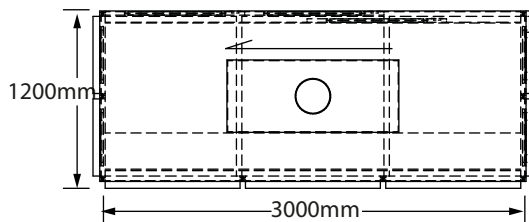
MODEL	AD3012BBH	AD4012BBH	AD5012BBH
Dimensions, mm (LxWxH)	3000 mm x 1200mm x 2400mm	4000 mm x 1200mm x 2400mm	5000 mm x 1200mm x 2400mm
Body	Electrogalvanised steel with heavy epoxy powder coated finish		
Inner Liner & Baffle	Phenolic resin, laboratory grade		
Side Panel with Louvers	2	2	2
Sliding Door Panel	3	4	5
Controls	Fan ON/OFF switch Light ON/OFF switch		
Duct Collar	300 mm	300 mm	250 x 2 mm
Design Velocity Equivalent	0.5 m/s at 500mm sash height		
Extract Volume	2700 CMH	3600 CMH	4500 CMH

MODEL	AD3020BBH	AD4020BBH	AD5020BBH
Dimensions, mm (LxWxH)	3000 mm x 2000mm x 2400mm	4000 mm x 2000mm x 2400mm	5000 mm x 2000mm x 2400mm
Body	Electrogalvanised steel with heavy epoxy powder coated finish		
Inner Liner & Baffle	Phenolic resin, laboratory grade		
Side Panel with Louvers	2	2	2
Sliding Door Panel	3	4	5
Controls	Fan ON/OFF switch Light ON/OFF switch		
Duct Collar	300 mm	300 mm	250 x 2 mm
Design Velocity Equivalent	0.5 m/s at 500mm sash height		
Extract Volume	2700 CMH	3600 CMH	4500 CMH

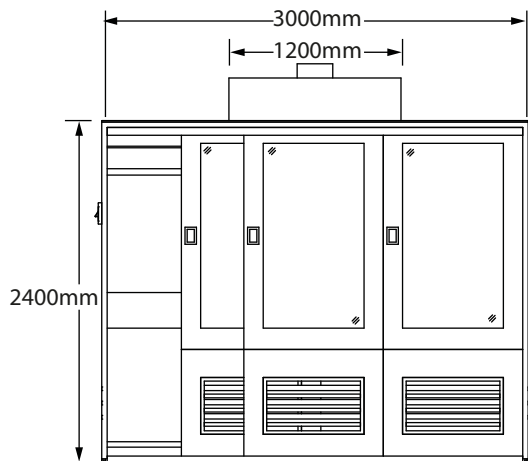
Technical Drawings

(AD3012BBH)

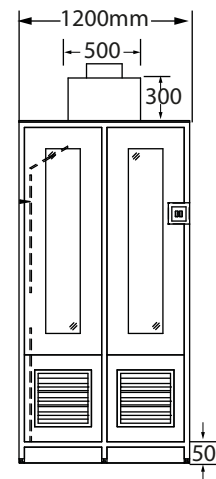
Top View



Front View



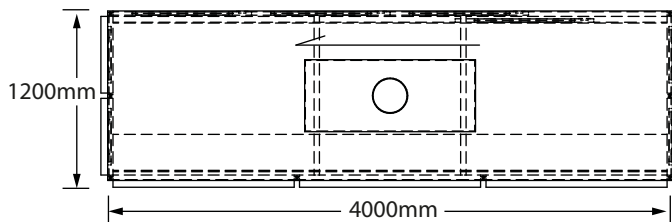
Side View



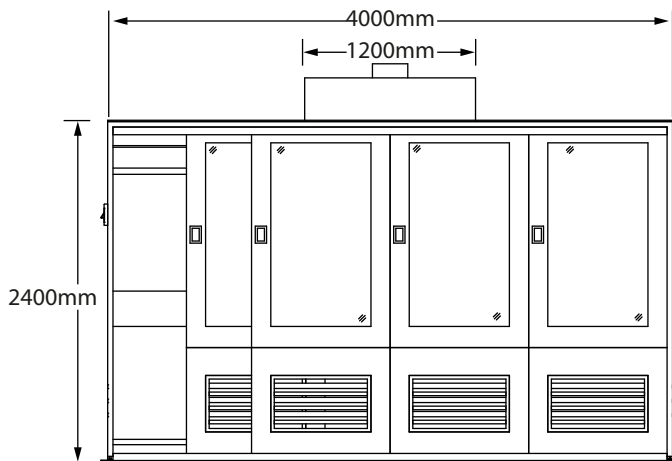
Technical Drawings

(AD4012BBH)

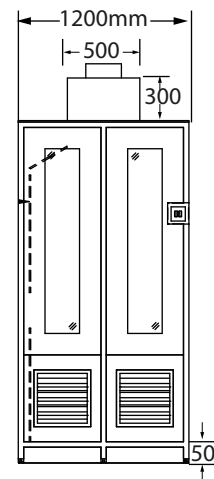
Top View



Front View



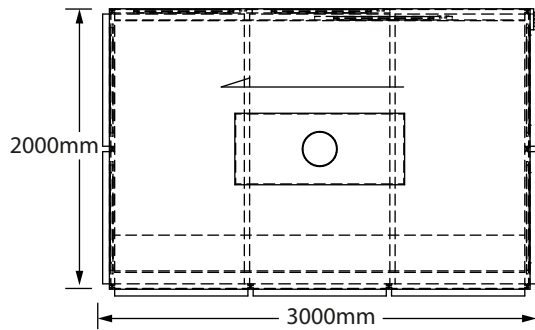
Side View



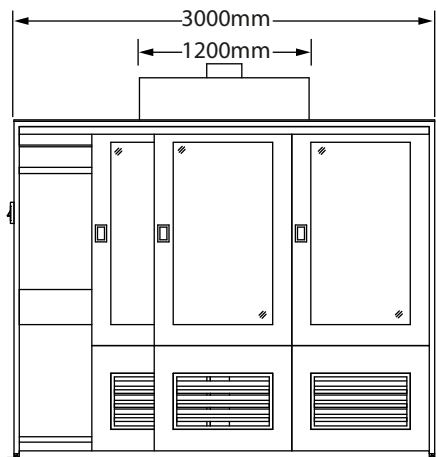
Technical Drawings

(AD3020BBH)

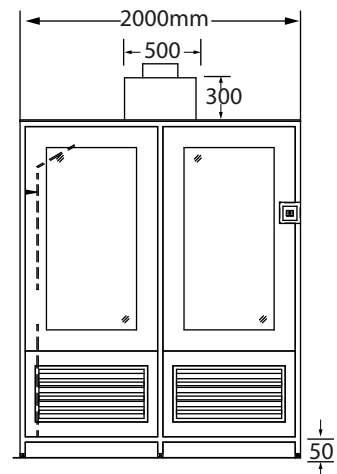
Top View



Front View



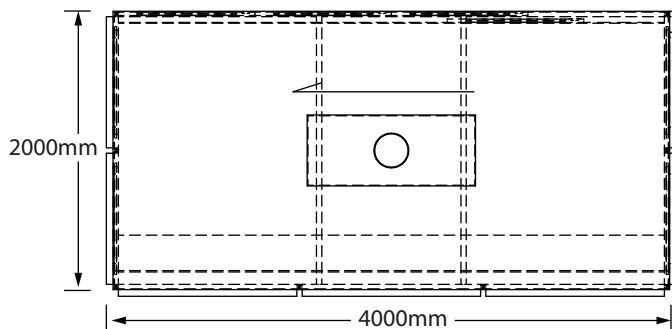
Side View



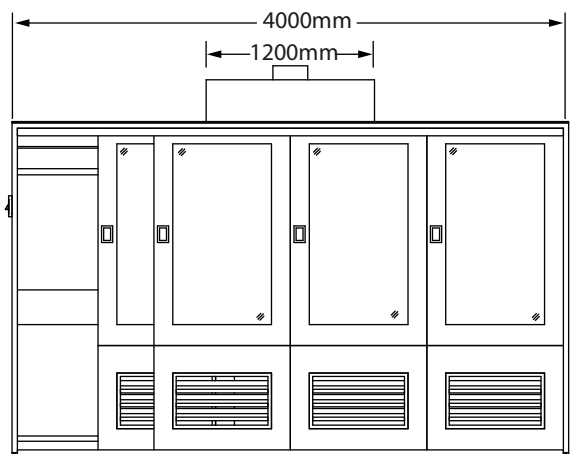
Technical Drawings

(AD4020BBH)

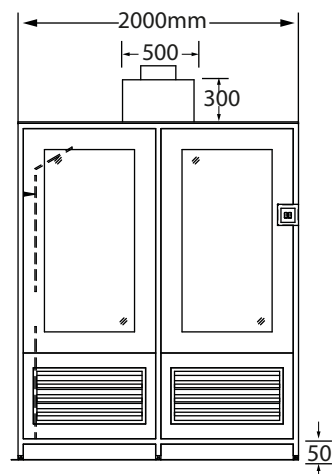
Top View



Front View



Side View



Options & Accessories

Superstructure

- Industrial Grade ElectroGalvanised Steel (Standard)
- SS 304
- SS 316
- Polypropylene
- PVDF

Distillation Grid

- Aluminium
- SS 304
- SS 316

Microprocessor Airflow Alarm

- Digital Display with Alarm
- Digital Display with Alarm & VAV/VSD Output

Services

- Compressed Air (CA)
- Distilled Water (DI)
- Nitrogen (N2)
- Oxygen (O2)
- Vacuum (Vac)



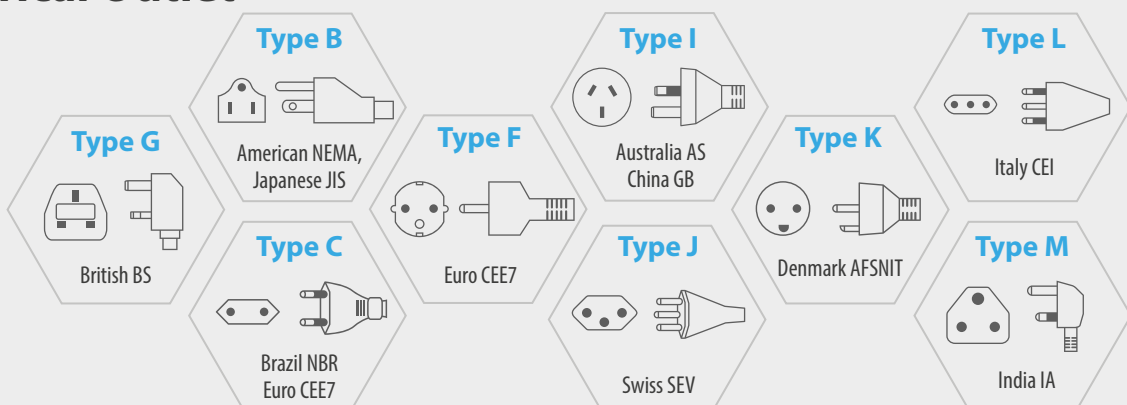
Ex Proof Configurations

- Ex proof lights
- Ex proof on/off switch

Please advice factory of details required

- Ex proof Electrical Sockets
- Ex proof electrical junction box

Electrical Outlet



Warranty

Products Manufactured by Advancelab: Advancelab(S) Pte.Ltd., warrants products that it manufactures to be free from defects for a period of 12 months for parts, commencing from the date of shipment. Advancelab's sole responsibility is to repair or replace, at its option, any part of the product that proves defective or malfunctioning during this time limit. This warranty is void if the equipment is abused or modified by the customer, is operated outside Advancelab's operating instructions or specifications, or is used in any application other than that for which it is specified. This warranty does not include routine maintenance or service procedures, breakage, shipping damage, nor damage from misuse, intentional or unintentional abuse, neglect, natural disasters, or acts of God.

Freight Shortage or Damage: Upon receipt of any equipment from Advancelab, customer shall immediately unpack and inspect for damage or shortage. The customer shall not accept a damaged package or a short shipment until the carrier makes a "damage or shortage" notation on both the carrier's and customer's copy of the freight bill or delivery receipt. Service title passes when the shipment is loaded, so customer is responsible for filing and collecting a freight claim. Any replacement products must be ordered and paid for separately.

Generally, customers can improve the chance of collecting on a freight claim by following these procedures:

1. Formally requesting that the carrier inspect the shipment immediately upon suspecting damage or shortage to verify condition.
2. Notifying the carrier upon discovery of concealed damage and requesting an inspection within 15 days of receipt, both in person or phone and following up via mail.
3. Keeping the shipment as intact as possible, including retaining original packaging materials and keeping the product as close to the original receiving location as possible.
4. Holding salvage for disposition by the carrier.

All Claims: Advancelab (S) Pte.Ltd., expressly disclaims all other warranties, expressed or implied or implied by statute, including the warranties of merchantability or fitness for intended use. Advancelab is not responsible for consequential or incidental damages arising out of the purchase or use of the products supplied by Advancelab. Advancelab is not liable for damage to facilities, other equipment, products, property or personnel of others, or of their agents, suppliers, or affiliated parties, which is caused or alleged to have been caused by products supplied by Advancelab. In any event or series of events, Advancelab's total liability for any and all damages whatsoever is limited to the lesser of the actual damages or the original invoice cost of the items alleged to have caused the damage. The customer's sole and exclusive remedy for any cause of action whatsoever is repair or replacement of the non-conforming products or refund of the actual purchase price, at the sole option of Advancelab. All claims must be made in writing within 90 days of the date the product was shipped. Any claims not made within this time limit shall be deemed waived by the customer. Advancelab is not responsible for any additional costs of repair caused by poor packaging or in-shipment damage during return.

Warranty Returns: All warranty returns must be authorized in advance by Advancelab and approved by writing. Unless approved in advance for good reason, all returns must be in original condition, including all manuals, and must be packaged in original packaging materials. All returned goods are to be shipped to Advancelab, freight prepaid at customer's expense.



AdvanceLab has built a rock steady reputation for solutions where most fail. Since our establishment in 2003, we have positioned ourselves as the premier facility solution provider for the scientific industry; designing, building and delivering quickly and without fuss. We have also taken our brand of expertise globally; now with exports of laboratory casework, fume hoods, laminar flow cabinets and clean booths heading to 30 countries, covering all continents.

Indonesia

PT. Advancelab Saintifik

Jl. Boulevard Raya Blok QJ 5 No. 23
Kelapa Gading, Jakarta Utara, Indonesia
Tel: +6221 45854570
Fax: +6221 45854570
Email: info-id@advancelab-global.com
Website: www.advancelab.com.sg

Malaysia

Advancelab Sdn Bhd

KL Office: Unit B-1-10, Block B, No. 2,
Jalan PJU 1A/7A, Oasis Square, Ara
Damansara, 47301 Petaling Jaya,
Selangor Darul Ehsan, Malaysia.
Tel: +603 7831 0188
Fax: +603 78310588
Email: info-my@advancelab-global.com
Website: www.advancelab.com.sg

Johor Factory: No. 3388, Jalan
Pekeliling Tanjung 27/2, Kawasan
Perindustrian Indahpura, 81000
Kulaijaya, Johor, Malaysia.
Tel: +607 660 8877

Fax: +607 660 8866
Email: info-my@advancelab-global.com
Website: www.advancelab.com.sg

Myanmar

Advancelab Scientific &
Engineering Co., Ltd

No(81/2), 7th Street, Than Thu Mar Road,
(14/1)Quarter, South Okkalapa Township,
Yangon, Myanmar.
Tel: +95 (1) 572393 / +95 (9) 779753802
Fax: +95 (1) 572393
Email: info-mm@advancelab-global.com
Website: www.advancelab.com.sg

Singapore

Advancelab (S) Pte Ltd

No.52 Senang Crescent,
Singapore 416619
Tel: +65 6448 8255
Fax: +65 6448 9833
Email: info@advancelab.com.sg
Website: www.advancelab.com.sg

Thailand

Advancelab (Thailand)
Co., Ltd.

9/28, Village No 13, Bang Ramat
Sub-district, Taling Chan District,
Bangkok Metropolis, Thailand
Tel: +65 6448 8255
Fax: +65 6448 9833
Email: info-th@advancelab-global.com
Website: www.advancelab.com.sg



Indonesia • Malaysia • Myanmar • Philippines • Singapore • Thailand

