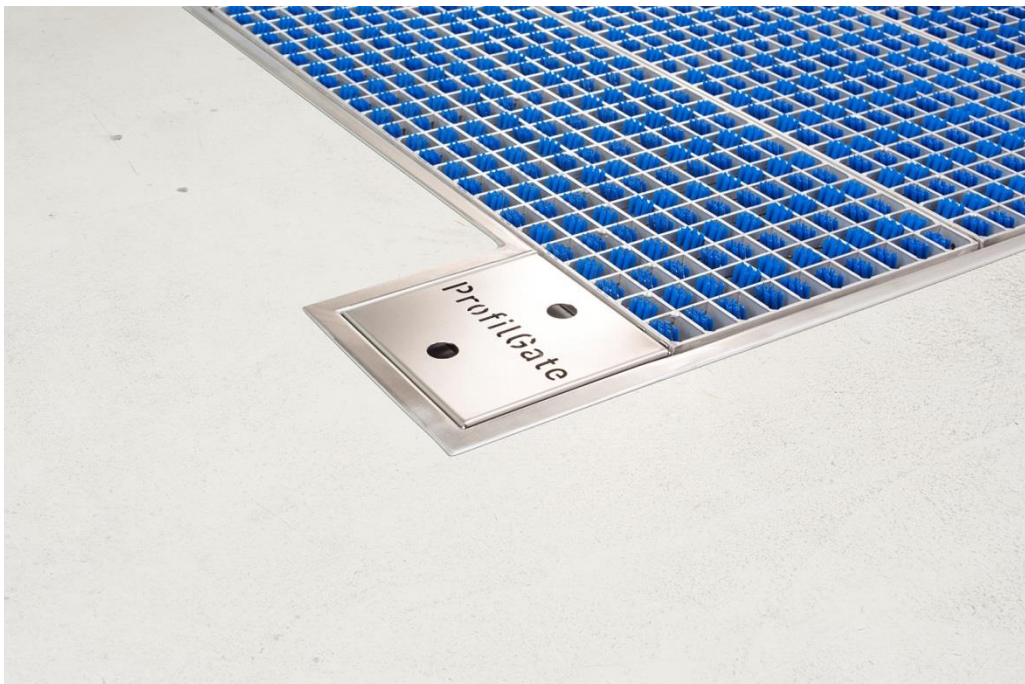


Additional Information for Installation

ProfilGate® aqua trays



Please note

The installation instructions should only be used as recommendations. It is essential to coordinate the installation with a specialist planner or architect to ensure optimal results. In addition to the installation instructions it is crucial to use the ProfilGate® original mounting instructions.

Make sure that the trays and the drain section do not get in contact with any iron-containing material like construction waste or swarf. (Danger of contact corrosion!) During grinding work, please cover the complete cleaning system.

The installation of the drain section

- A short description

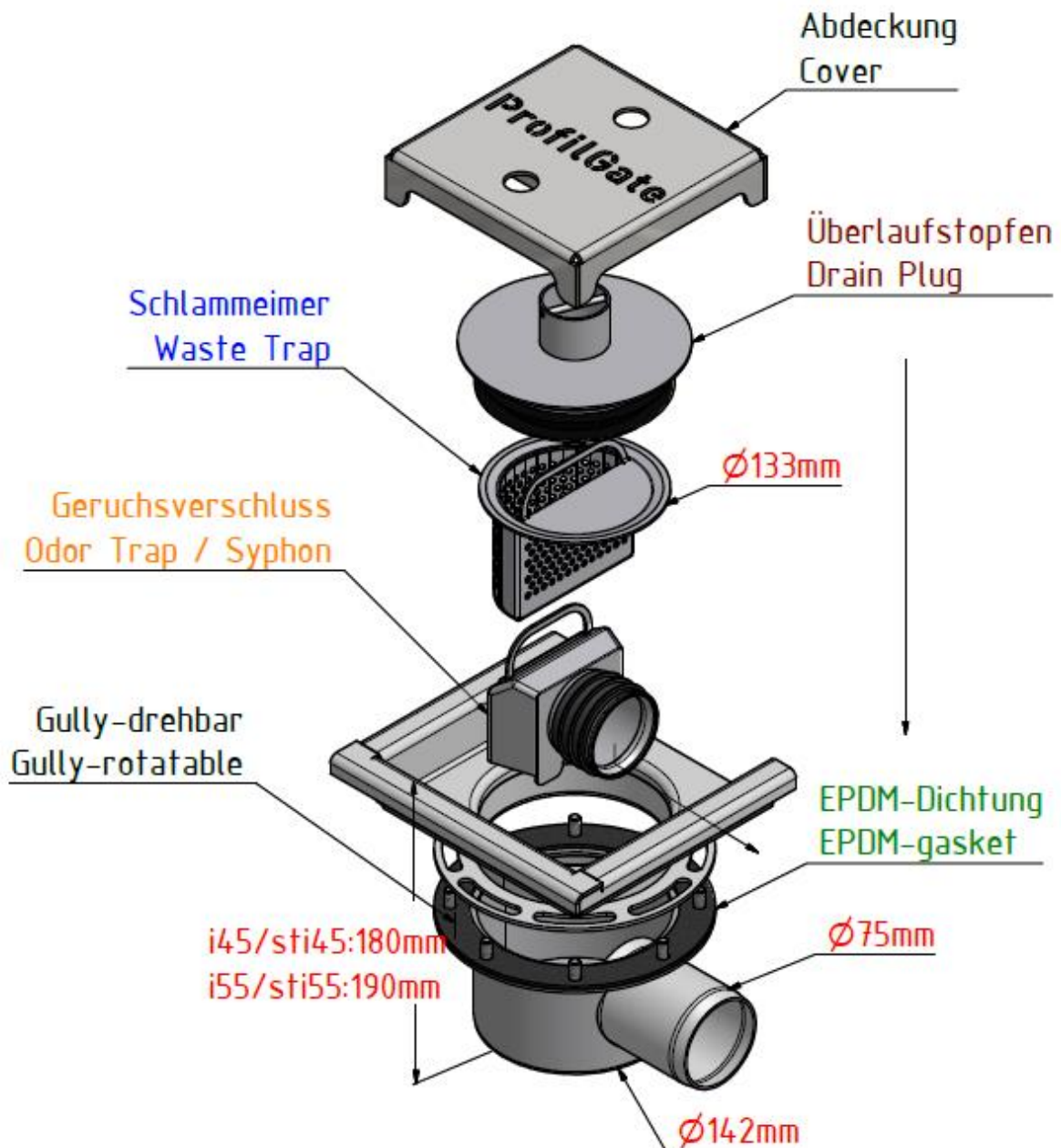
The trays are delivered with an individual drain section.
Please check its position and size before installing. (Follow the fire protection regulations!)

Drain section DN 70 (Ø 154mm)	Floor break-through of the minimum size of Ø 200mm or 200x400mm for horizontal outflow (depending on main pipe system)
--	---

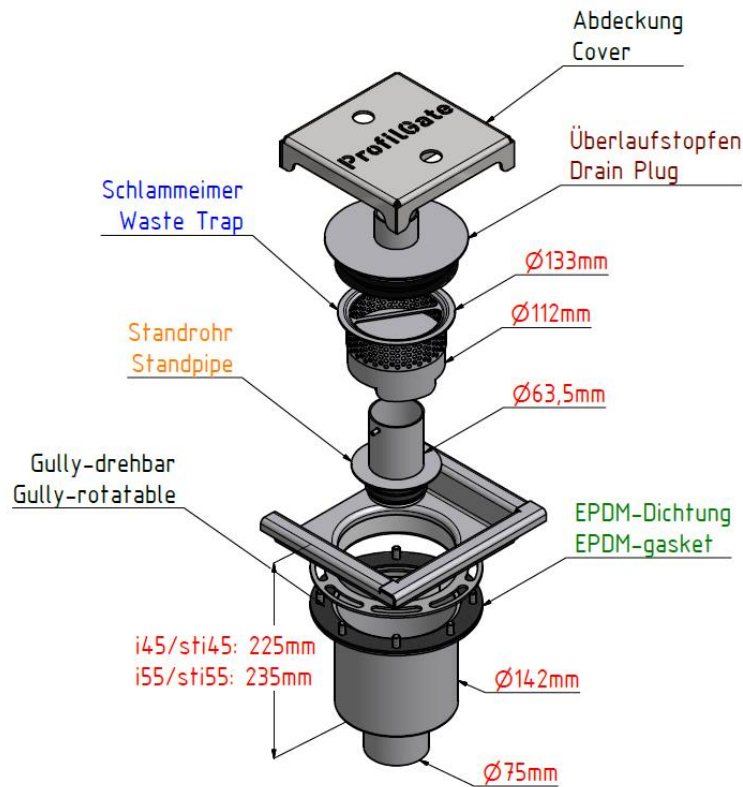
For the connection to the main pipe system consider the individual structural conditions.



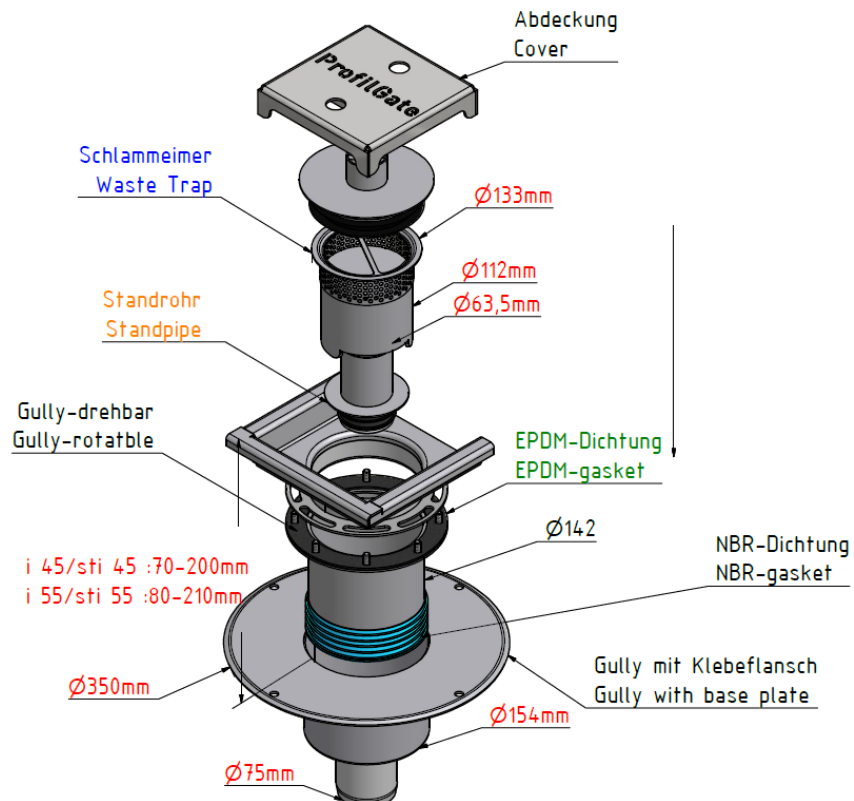
Drain at the side DN70 Type 1, Option A



Drain at the bottom DN70 Type 1, Option B



Drain at the bottom DN70 Type 1, Option B with base plate



Installation at ground level



Step 1:

Prepare a flat and horizontal pit.



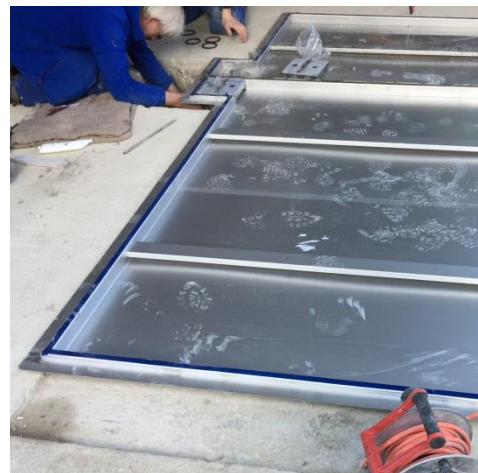
Step 2:

Smooth the surface in the pit (tray height + 3 to 5 mm).



Step 3:

Apply glue/filler and even out the + 3 to 5 mm from step 2.



Step 4: Installation of trays

Place trays.



Drain



Sealing of drain

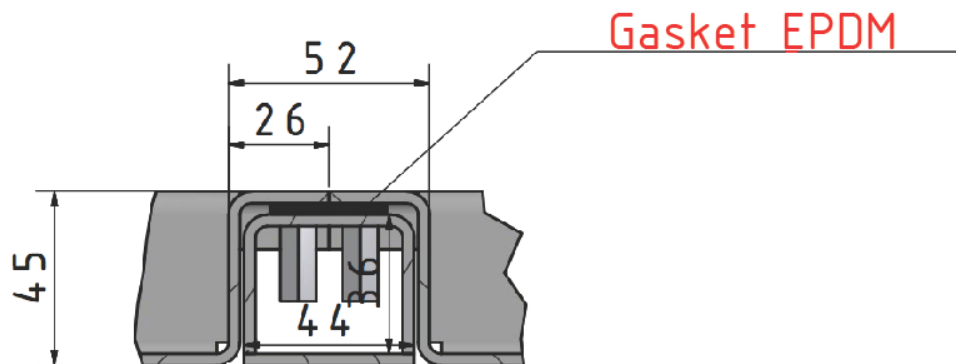


Step 5: Tiling

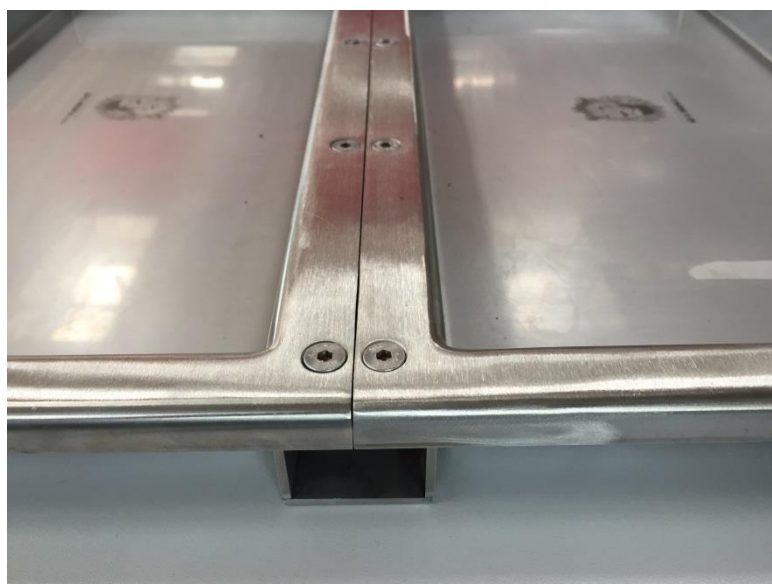


To align the trays use a levelling instrument. It is very important that each tray lies smoothly in the pit and there is no down-grade. Make sure the glue is applied all-over the tray, so that no cavity is formed underneath. For further installation instructions please read the ProfilGate® original mounting instructions that are enclosed.

Connecting the trays



In case you want to connect the trays in driving direction (only on special order), make sure that both trays are leveled correctly to each other. Furthermore, position the connection profile between both trays accurately (seal upwards). Afterwards insert the Allen screws and sealing washers into the screw thread. If necessary you can level the trays again.



Transport safety

Due to the risk of deformation, the transport safety device should not be removed until the floor covering is completely hardened. Afterwards a hammer can be used for removal.

