



SCHOOL FUME HOOD



ACS
REGISTRARS
Health & Safety
OHSAS 18001

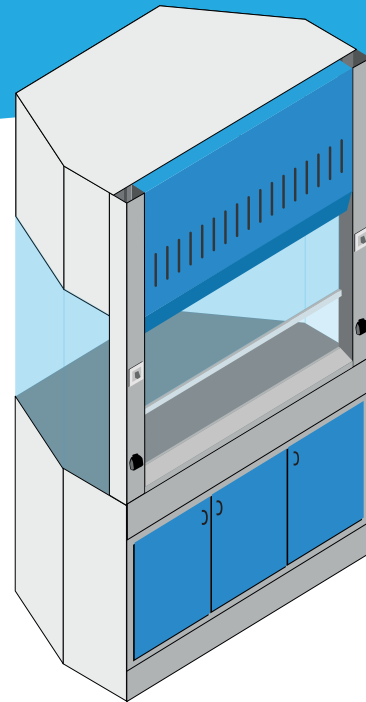
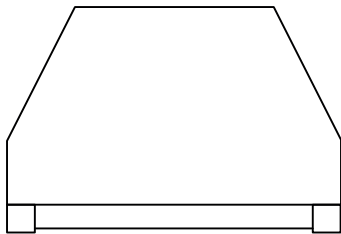
ACS
REGISTRARS
Quality Assurance
ISO 9001

bizSAFE
S T R

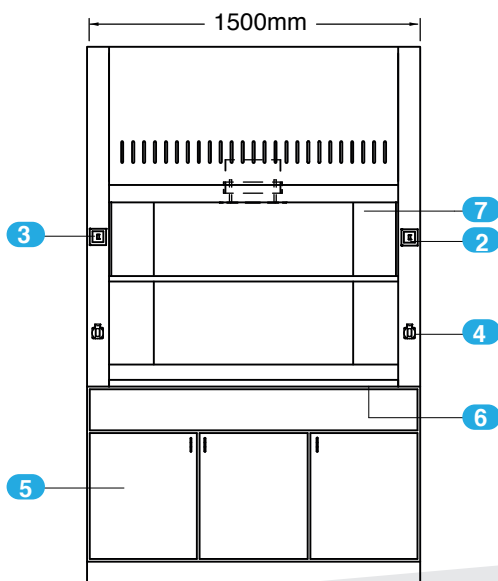
Technical Drawings

(AD3020BBH)

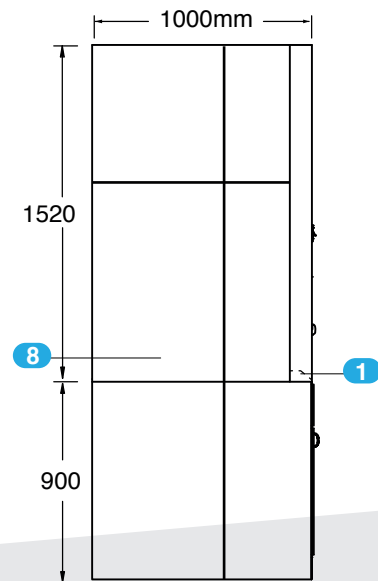
Top View



Front View



Side View



- 1. Stainless Steel 304 Airfoil
- 2. Light Switch
- 3. Fan Switch

- 4. Electrical Outlet
- 5. Standard Steel Base Cabinet
- 6. Epoxy Resin Tabletop with Marine

- 7. Tempered Glass Sash
- 8. Acrylic Shield