




S-CLASSIC-90 ◀ 090 cm ▶



Safety storage cabinet
S-CLASSIC-90 model S90.196.090
 warning yellow (RAL 1004), interior equipment with 3 x shelf,
 1 x perforated insert, 1 x bottom collecting sump (sheet steel powder-
 coated)
Order No. 30204-002-33705 
 (extraction unit optional)



Safe and approved storage of flammable hazardous substances in working areas

Function / construction:

- **Robust construction and longevity:** triple hinged door, body made of powder-coated sheet steel, safety elements assembled outside the cabinet for increased protection against corrosion
- **User-friendly and safe (model .WDAS):** door open arrest system, convenient and safe removal or storage of containers
- **No unauthorised use:** doors lockable with profile cylinder (integration in an existing locking system possible)
- **Easy alignment:** adjusting aids to compensate for uneven floor

- **Ventilation:** integrated air ducts ready for connection (DN 75) to a technical exhaust system

Available equipment:

- Drawers – high storage capacity, optimal use of the available storage capacities
- Sump inliner (PE or PP)
- Shelves with load capacity of 75 kg
- Storage box
- Perforated insert useable as storage area
- Metal-free tray shelves and collecting sumps
- Drawers heavy-duty with load capacity of 100 kg
- Tray shelves with load capacity of 150 kg
- Bottom collecting sump



Are you familiar with our model class PHOENIX?

Space saving folding doors are optimally suited for narrow passages in front of the safety storage cabinet.



Further information on these models from page 196



User-friendly and safe
 Door open arrest system (optional), convenient and safe removal or storage of containers




Metal-free interior equipment
 Ideal for the storage of flammable, aggressive hazardous substances. Tray shelves with chemical resistant surface lamination and removeable plastic sump, bottom collecting plastic sump.



Extraction unit with exhaust air monitoring
 Safe ventilation of safety storage cabinets


Plug-in – fast and easy to install
 Further information and products from page 505

Order No. 14220 

Recirculating air filter system

Avoid complex wall break-throughs and expensive extraction piping
 Further information from page 500



Order No. 25099 



Safety storage cabinet
S-CLASSIC-90 model S90.196.090.WDAS
 light grey (RAL 7035), interior equipment with 4 x drawer (sheet steel powder-coated)
Order No. 30205-001-33709



Safety storage cabinet
S-CLASSIC-90 model S90.196.090.WDAS
 warning yellow (RAL 1004), interior equipment with 6 x drawer (sheet steel powder-coated)
Order No. 30205-002-33711

Available colours:



PLEASE NOTE: interior equipment with drawers can only be ordered in combination with WDAS cabinets

Order example - how to order correctly



Model	Information / equipment	Order No.
S90.196.090	without interior equipment	30204
S90.196.090.WDAS	without interior equipment, with door open arrest system	30205

Body colour	Door colour	Order No.
Light grey RAL 7035	light grey RAL 7035	001
Warning yellow RAL 1004	warning yellow RAL 1004	002
Laboratory white [sim. RAL 9016]	laboratory white [sim. RAL 9016]	005

Interior equipment packages (can only be ordered in combination with the cabinet)	Material	Order No.
3x shelf, 1x perforated insert, 1x bottom collecting sump [V=22.0L]	sheet steel powder-coated RAL 7035	33705
4x shelf, 1x perforated insert, 1x bottom collecting sump [V=22.0L]	sheet steel powder-coated RAL 7035	33706
3x shelf, 1x bottom collecting sump [V=22.0L]	sheet steel powder-coated RAL 7035	33707
4x shelf, 1x bottom collecting sump [V=22.0L]	sheet steel powder-coated RAL 7035	33708
3x shelf, 1x perforated insert, 1x bottom collecting sump [V=22.0L]	stainless steel	30212
4x shelf, 1x perforated insert, 1x bottom collecting sump [V=22.0L]	stainless steel	30213
3x shelf, 1x bottom collecting sump [V=22.0L]	stainless steel	30214
4x shelf, 1x bottom collecting sump [V=22.0L]	stainless steel	30215
3x tray shelf [V=22.0L], 1x bottom collecting sump [V=22.0L]	PP grey	30216
4x tray shelf [V=22.0L], 1x bottom collecting sump [V=22.0L]	PP grey	30217
4x drawer [V=19.0L]	sheet steel powder-coated RAL 7035	33709
5x drawer [V=19.0L]	sheet steel powder-coated RAL 7035	33710
6x drawer [V=19.0L]	sheet steel powder-coated RAL 7035	33711
4x drawer [V=19.0L]	stainless steel	33712
5x drawer [V=19.0L]	stainless steel	33713
6x drawer [V=19.0L]	stainless steel	33714



Individual configuration of model S90.196.090 / S90.196.090.WDAS

Model	Information / equipment	W x D x H (mm)	Order No.
S90.196.090	without interior equipment	896 x 616 x 1968	30204
S90.196.090.WDAS	without interior equipment, with door open arrest system	896 x 616 x 1968	30205

Body colour	Door colour	Order No.
Light grey RAL 7035	light grey RAL 7035	001
Warning yellow RAL 1004	warning yellow RAL 1004	002
Laboratory white (sim. RAL 9016)	laboratory white (sim. RAL 9016)	005

Interior equipment	Material	W x D x H (mm)	1)	2)	3)	Order No.
Shelf						
Shelf	sheet steel powder-coated RAL 7035	740 x 432 x 30*	75.00			30059
	stainless steel	740 x 432 x 30*	75.00			30061
Tray shelf	sheet steel powder-coated RAL 7035	725 x 445 x 80*	150.00	23.50	21.36	30828
	stainless steel	723 x 488 x 83*	150.00	22.00	20.00	30829
Tray shelf metal-free	PP grey	644 x 416 x 102*	50.00	22.00	20.00	30063
Perforated insert						
Perforated insert	sheet steel powder-coated RAL 7035	724 x 417 x 70	75.00			11165
	stainless steel	724 x 417 x 70	75.00			11168
Bottom collecting sump						
Bottom collecting sump	sheet steel powder-coated RAL 7035	725 x 445 x 80*		22.00	20.00	33621
	stainless steel	723 x 488 x 83*		22.00	20.00	30062
Bottom collecting sump metal-free	PP grey	749 x 505 x 107		22.00	20.00	33829
Drawer						
Drawer	sheet steel powder-coated RAL 7035	544 x 488 x 90*	60.00	19.00	1727	30065
	stainless steel	544 x 488 x 90*	60.00	19.00	1727	30067
Drawer (heavy duty)	sheet steel powder-coated RAL 7035	543 x 487 x 162*	100.00	45.00	40.91	30066
	stainless steel	543 x 487 x 162*	100.00	45.00	40.91	30068
Accessories						
Storage box left hinged	sheet steel powder-coated RAL 7035	380 x 420 x 360				30029
Storage box right hinged	sheet steel powder-coated RAL 7035	380 x 420 x 360				30030
Sump inliner for drawer	PP grey	534 x 450 x 96*		23.00	20.91	27948
Sump inliner for shelf	PP grey	653 x 406 x 88*		21.50	19.55	9707
Anti-slip rubber mat for drawer	black	540 x 490 x 1				15653
Pipe lead-through	sheet steel powder-coated RAL 7035	182 x 104 x 48				30035
Box for chemicals	PP blue	410 x 300 x 260				30038
Document holder DIN A5	polystyrene					30793

Ventilation	Order No.
Extraction unit without exhaust air monitoring	14218
Extraction unit with exhaust air monitoring	14220
Recirculating air filter system with exhaust air monitoring	25099

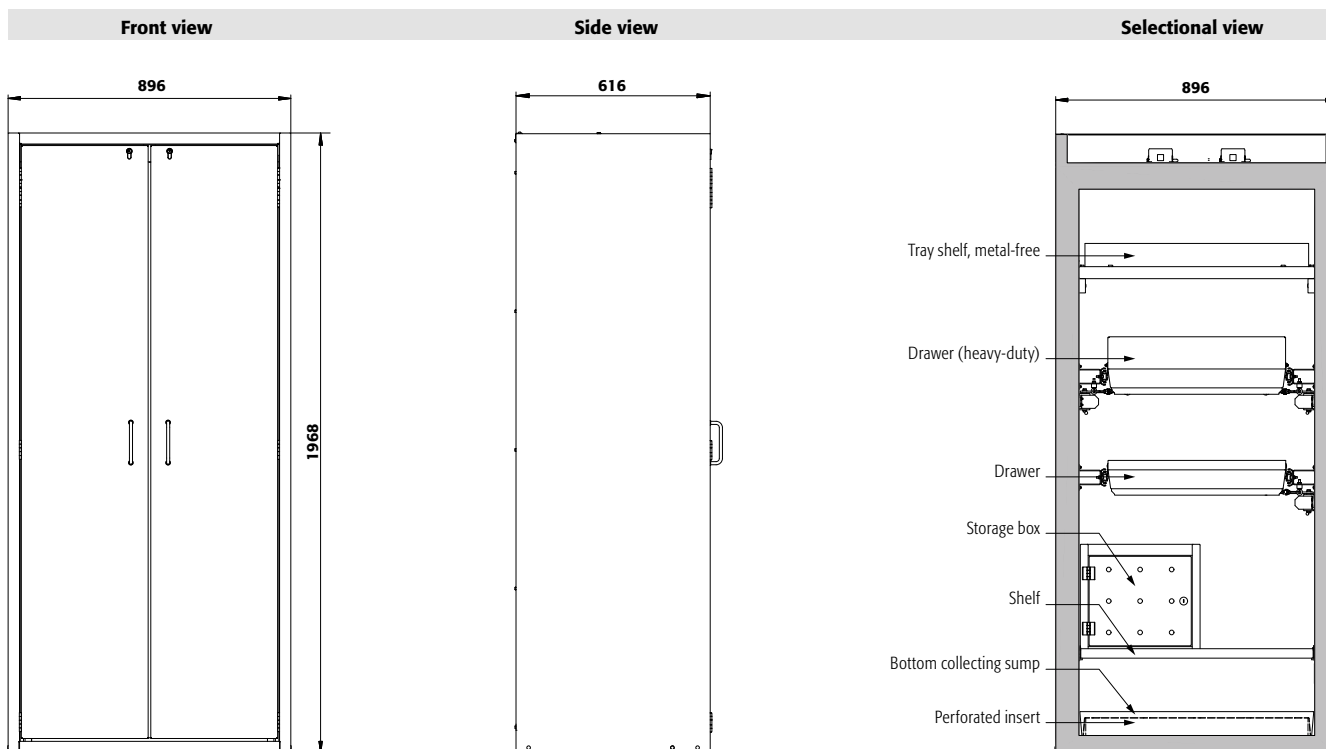
* usable storage space W x D (mm)
 1) load capacity [kg], 2) retention capacity [ltr], 3) maximum container volume in the cabinet [ltr]

PLEASE NOTE:
 drawers are only available
 in combination with
 WDAS. cabinets

Explore our media service ...

... visit www.asecos-specs.com for technical specifications, CAD drawings, BIM content and certificates on our products.





Technical data

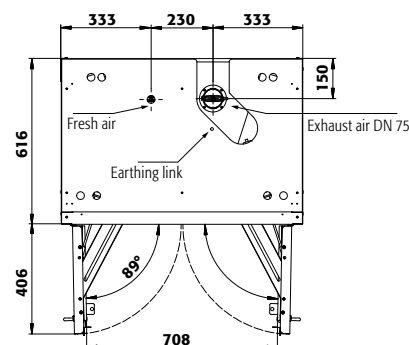
S90.196.090(WDAS)

External dimensions W x D x H	mm	896 x 616 x 1968
Internal dimensions W x D x H	mm	750 x 524 x 1742
Weight without interior equip.	kg	310
Air change 10 times	m ³ /h	7
Diff. pressure (air change 10 times EK5/AK4)	Pa	5
Diff. pressure (air change 10 times)	Pa	5
Maximum load	kg	600
Distributed load	kg/m ²	628

Transport base optional

Entry height	mm	100
Entry width	mm	2 x 290

Top view



S90.196.090(WDAS)

Drawers/number

	9	8	7	6	5	4+1	4	3+1	3	2
Distance ⑨ (mm)	145									
Distance ⑧ (mm)	135	210								
Distance ⑦ (mm)	135	200	210							
Distance ⑥ (mm)	170	200	200	275						
Distance ⑤ (mm)	170	170	200	230	340	295				
Distance ④ (mm)	170	170	200	230	330	295	400			
Distance ③ (mm)	170	170	200	230	295	230	360	530		
Distance ② (mm)	170	170	230	230	295	230	390	520	1010	
Distance ① (mm)	200	200	265	330	265	490	425	550	615	

S90.196.090(WDAS)

Shelves/number

	4	3	2
Distance ④ (mm)	460		
Distance ③ (mm)	285	490	
Distance ② (mm)	315	380	
Distance ① (mm)	315	410	

S90.196.090(WDAS)

Quantity

Quantity	Type of container	Container size
49	Aerosol cans	400 ml
23	Cans	1 litre
23	Laboratory glass bottles	1 litre
23	Laboratory PE-bottles	1 litre
9	Laboratory glass bottles	2.5 litres

