



UB-S-90 ◀ 110 cm ▶



Safety storage under bench cabinet UB-S-90 model UB90.060.110.2S

light grey (RAL 7035), interior equipment with 2 x drawer (sheet steel powder-coated), 2 x perforated insert (stainless steel)

Order No. 30427-001-35311

Safe and approved storage of flammable hazardous substances in working areas

Function / construction:

- **Robust construction and longevity:** body made of powder-coated sheet steel
- **User-friendly:** drawers remain open in any position, interior of drawers completely visible – access to all containers
- **Safe:** drawers fitted with earthing wire incl. clamp as standard, seal welded sump, drawers are self-closing in the event of fire
- **No unauthorised use:** drawers lockable with cylinder lock and locking state indicator (red/green)
- **Mobile:** castors with plinth (optionally available), easy moving of the cabinet
- **Ventilation:** integrated air ducts ready for connection (DN 50) to a technical exhaust system

Available equipment:

- Second level drawer for optimal utilisation of the inside space when storing small containers
- Perforated insert useable as storage area
- SOFT CLOSE system — soft, quiet and complete closure of the drawer



Castors with plinth

Stable — easy moving of the cabinet

Safe fixing of the cabinet — integrated locking mechanism

Flexible — height adjustment to various laboratory furniture



SOFT CLOSE system

No matter how large the force while sliding the drawer – thanks to spring mechanism the drawer closes softly and quietly (optional)

Extraction unit for wall mounting

Especially designed for the lower pressure conditions and volume flows of under bench cabinets.

Further information and products from page 505

Order No. 24315



Technical data

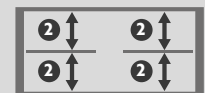
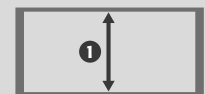
		UB90.060.110.2S
External dimensions W x D x H	mm	1102 x 574 x 600
Internal dimensions W x D x H	mm	979 x 452 x 502
Weight without interior equip.	kg	180
Extraction air	DN	50
Air change 10 times	m ³ /h	2
Diff. pressure (air change 10 times)	Pa	1
Diff. pressure (air change 10 times EKS/AK4)	Pa	1
Maximum load	kg	300
Distributed load	kg/m ²	277
Max. load of drawers	kg	50

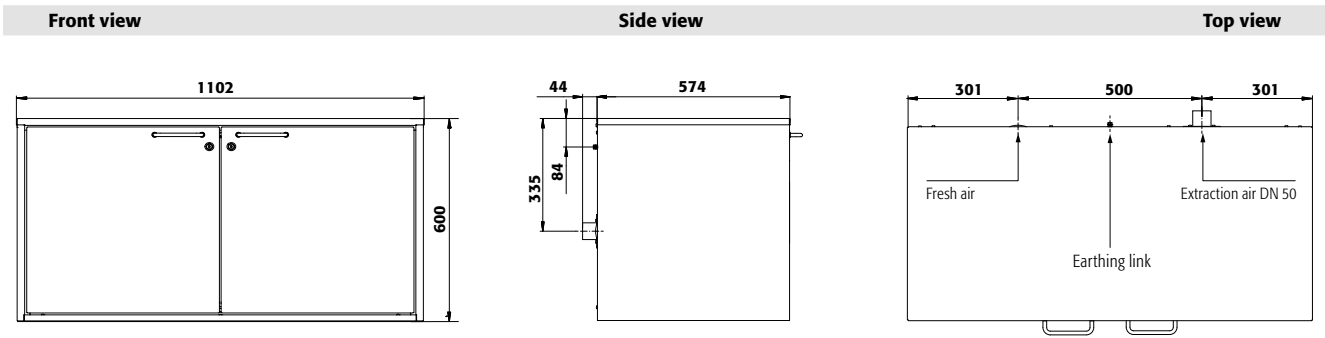
Usable storage heights

UB90.060.110(.050).2S
① mm 465**

UB90.060.110.2S
② mm 230***

** without perforated insert
*** with second level drawer





UB LINE

Available colours:



Order example - how to order correctly



Model	Information / equipment	Order No.
UB90.060.110.2S	without interior equipment, with 2 drawers	30427
UB90.060.110.UL.2S	without interior equipment, UL/ULC 1275 listed, with 2 drawers	37047

Body colour	Door colour	Order No.
Light grey RAL 7035	light grey RAL 7035	001 4
Laboratory white (sim. RAL 9016)	laboratory white (sim. RAL 9016)	005 4

Interior equipment packages (can only be ordered in combination with the cabinet)	Material	Order No.
2x drawer (V=11.5L)	sheet steel powder-coated RAL 7035	35310 2
2x drawer (V=11.5L)	stainless steel	35315 5
2x drawer (V=11.5L), 2x perforated insert	sheet steel powder-coated RAL 7035, stainless steel	35311 2
2x drawer (V=11.5L), 2x perforated insert	stainless steel	35316 5
2x drawer (V=11.5L), 1x second level drawer	sheet steel powder-coated RAL 7035	35314 2
2x drawer (V=11.5L), 1x second level drawer	stainless steel	35318 5
2x drawer (V=11.5L), 2x second level drawer	sheet steel powder-coated RAL 7035	35313 2
2x drawer (V=11.5L), 2x second level drawer	stainless steel	35319 5
2x drawer (V=11.5L), 2x perforated insert, 2x second level drawer	sheet steel powder-coated RAL 7035, stainless steel	35312 2
2x drawer (V=11.5L), 2x perforated insert, 2x second level drawer	stainless steel	35317 5

Interior equipment	Material	W x D x H (mm)	1)	2)	3)	Order No.
Second level drawer for cabinet/compartment width 59 cm	sheet steel powder-coated RAL 7035	443 x 418 x 45*	25.00	3.00	2.73	30407 2
Second level drawer for cabinet/compartment width 59 cm	stainless steel	443 x 418 x 45*	25.00	3.00	2.73	30409 2
Perforated insert	stainless steel	417 x 436 x 9	75.00			9975 2
Sump inliner for second level drawer (1 pc, recom. 2 pcs)	PE black	434 x 199 x 20*		1.50	1.36	10904 2
Sump inliner	PP grey	353 x 406 x 88*		11.50	10.45	9706 2
Anti-slip rubber mat	black	420 x 438 x 1				8698 2
Pipe lead-through	sheet steel powder-coated RAL 7035	182 x 104 x 48				30035 2
Castors with plinth height = 30 mm	sheet steel powder-coated RAL 7015					31358 2
Bottle rack for 15 bottles with Ø 70 mm	sheet steel powder-coated RAL 7035	210 x 440 x 30				7603 2
Bottle rack for 32 bottles with Ø 40 mm	sheet steel powder-coated RAL 7035	210 x 440 x 30				7602 2
Bottle rack for 8 bottles with Ø 90 mm	sheet steel powder-coated RAL 7035	210 x 440 x 30				7604 2
Document holder DIN A5	polystyrene					30793 2
SOFT-CLOSE						33980 2
Connection eccentric adapter DN50 to DN75	PP					32165 2

Ventilation	Order No.
Extraction module with exhaust air monitoring for wall mounting, for under bench cabinets	24315 2
Recirculating air filter system with exhaust air monitoring, for under bench cabinets	27144 2
Adapter as separate housing unit for lateral mounting	26885 2

* usable storage space W x D (mm)

1) load capacity (kg), 2) retention capacity (ltr), 3) maximum container volume in the cabinet (ltr)