

PASSBOX

BY ADVANCELAB



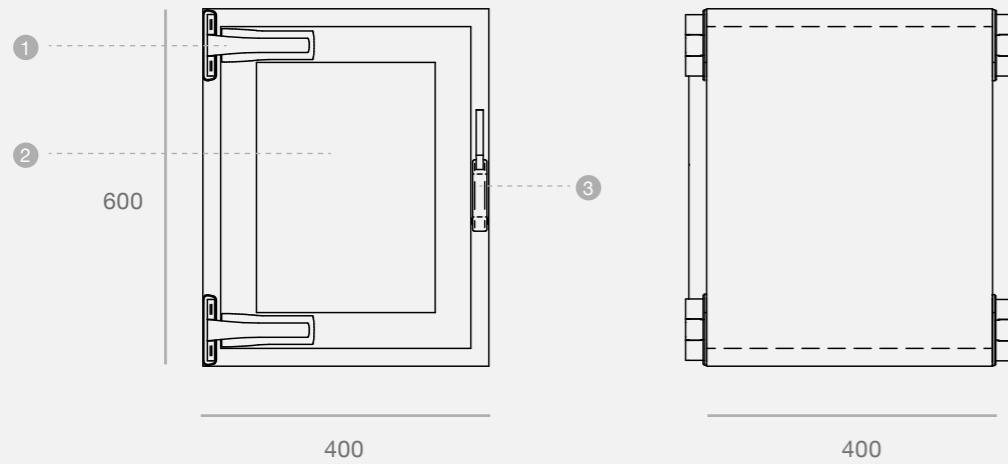


Advancelab offers stainless steel (316 & 304) as well as powder coated electrogalvanised steel passboxes.

- Double-layered design
- Mechanical interlock is reliable, maintenance-free, fail safe and maintains clean-room integrity by preventing both doors from being opened at same time
- Tempered glass provides a clear view of the internal chamber
- Designed simply for years of hassle-free use

Cut Sheet

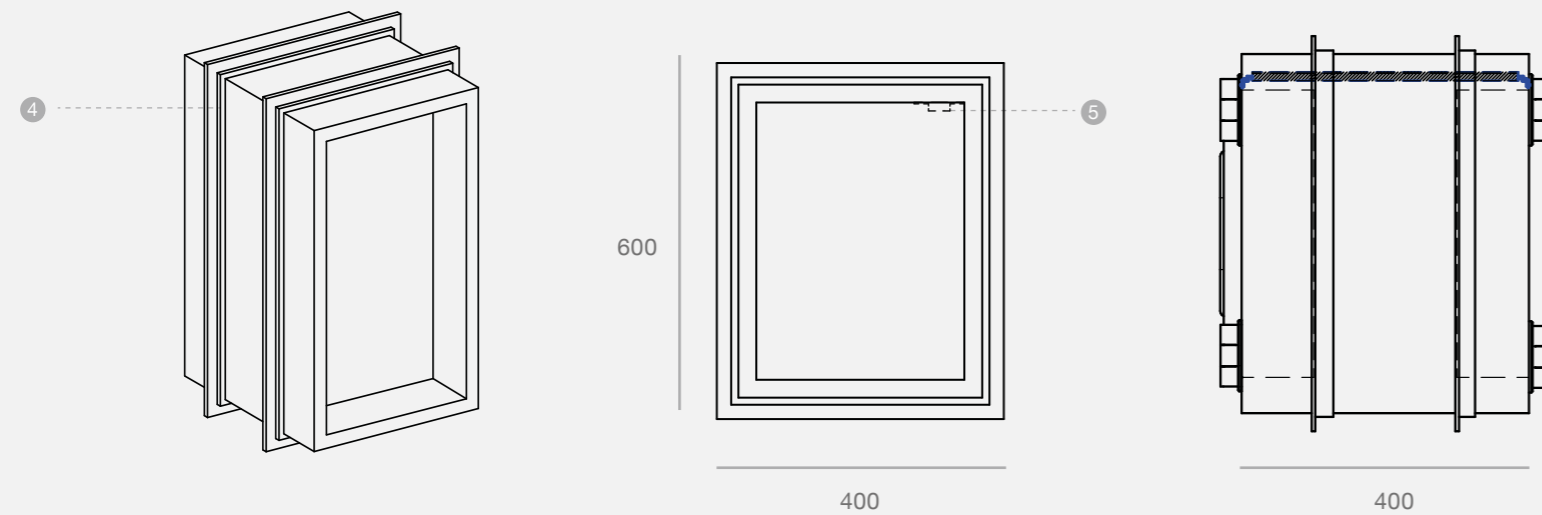
Mechanical Interlock



- 01 Hinges
- 02 Glazed Glass Window
- 03 Handle with Lock

Model	AD01PB-STD	AD02PB-STD	AD03PB-STD
External Dimensions* (W x D x H)	400 x 400 x 600mm	600 x 400 x 600mm	900 x 400 x 900mm
Internal Work Area^ Dimensions (W x D x H)	400 x 400 x 475mm	500 x 400 x 475mm	800 x 400 x 775mm
Material	Electrogalvanised Steel / Stainless Steel 304 / Stainless Steel 316		
Window	Glazed Glass / No Window		
Opening	Left Hand Open / Right Hand Open		

Wall Frame



- 04 Electrogalvanised Steel Construction with Epoxy Powder Coated Finish
- 05 Interlocking System

Model	AD01PB	AD02PB-STD	AD03PB-WF
External Dimensions* (W x D x H)	400 x 400 x 600mm	600 x 400 x 600mm	900 x 400 x 900mm
Internal Work Area^ Dimensions (W x D x H)	400 x 400 x 475mm	500 x 400 x 475mm	800 x 400 x 775mm
Material	Electrogalvanised Steel / Stainless Steel 304 / Stainless Steel 316		
Window	Glazed Glass / No Window		
Opening	Left Hand Open / Right Hand Open		

*Without door
^With Interlock

Singapore

Advancelab (S) Pte Ltd

253 Kaki Bukit Ave 1
Singapore 416061
Tel: +65 6448 8255
Fax: +65 6448 9833
Email: info@advancelab.com.sg

Malaysia

Advancelab Sdn Bhd

No. 3388, Jalan Pekeliling Tanjung 27/2,
Kawasan Perindustrian Indahpura,
81000 Kulajaya, Johor, Malaysia.
Tel: +607 660 8877
Fax: +607 660 8866
Email: info-my@advancelab-global.com

Myanmar

Advancelab Scientific &
Engineering Co., Ltd

No.(976/Ka), Than Thu Mar Road, 5th
Ward, South Okkalapa Township, Yangon,
Myanmar.
Tel: +95 (1) 572393 / +95 (9) 779753802
Fax: +95 (1) 572393
Email: info-mm@advancelab-global.com

Indonesia

PT Advancelab Saintifik

253 Kaki Bukit Ave 1
Singapore 416061
Tel: +65 6448 8255
Fax: +65 6448 9833
Email: info@advancelab.com.sg

Thailand

Prima Scientific Co., Ltd.

147 / 170 - 171 Baromrajchonnanee
Road, Arunamarin Bangkoknoi, Bangkok
10700, Thailand.
Tel: +66 2 884 9480
Fax: +66 2 884 6441
Email: primasci@primasci.com

U.A.E (Dubai)

Advancelab FZCO

No.FZJOAB1310 Jafza One, Jebel Ali
Dubai, United Arab Emirates
Email: info@advancelab.com.sg