

WET SCRUBBER



CONTENTS

Wet Scrubber Features 3

Parts 4

Models 6

Technical Specification

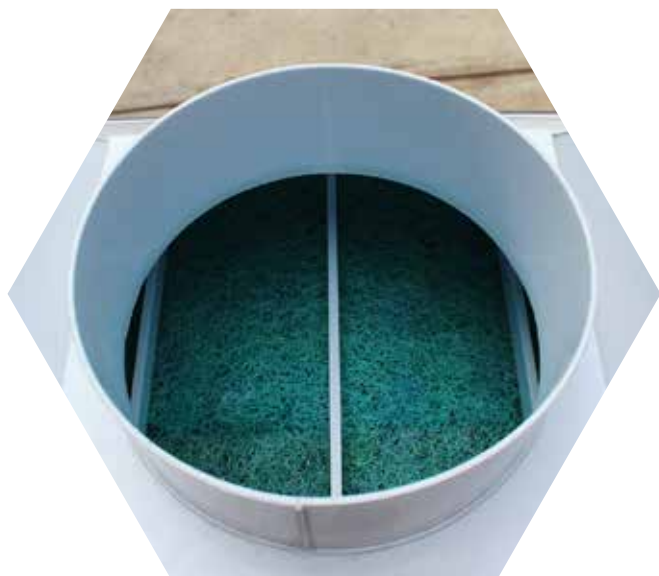
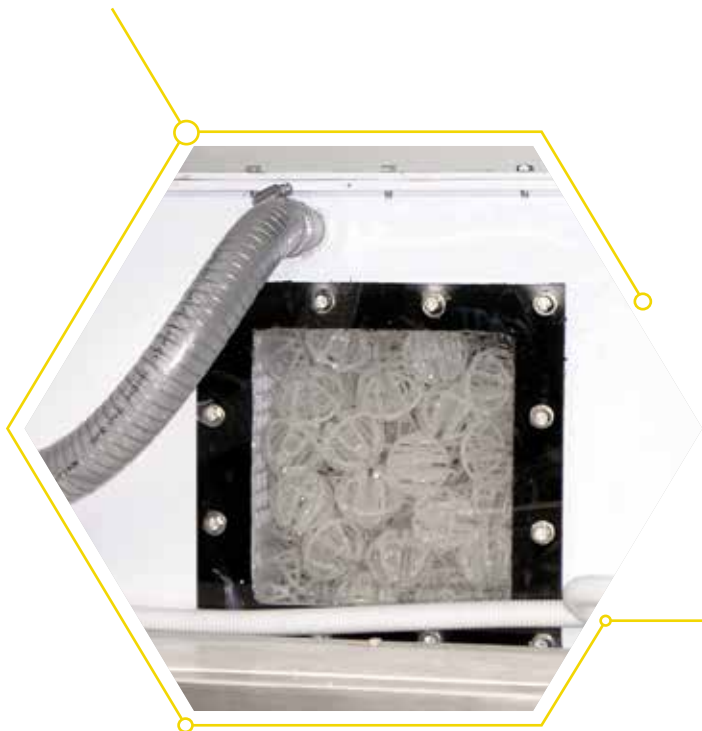
- MiniLab 7

- MaxiLab 1000 8

- MaxiLab 2000 9

Warranty 10

Wet Scrubber Features



Wet scrubbers are designed to remove water-soluble compounds from exhaust streams. Advancelab manufactures two types:

MiniLab® - a closed system comprising of a scrubber unit mounted above the fume hood and a holding tank below

MaxiLab® - a stand-alone unit that can be remotely located

MiniLab® can be utilised for individual hoods only. They allow flexibility and are convenient to install.

MaxiLab® can be used for a series of hoods and are available in two sizes for this application.

Units can be manufactured in PVC or PP sheet utilizing "hot weld" fabrication. All units come with a chemical resistant pump, sanitary and water connections and a skid tray where specified.



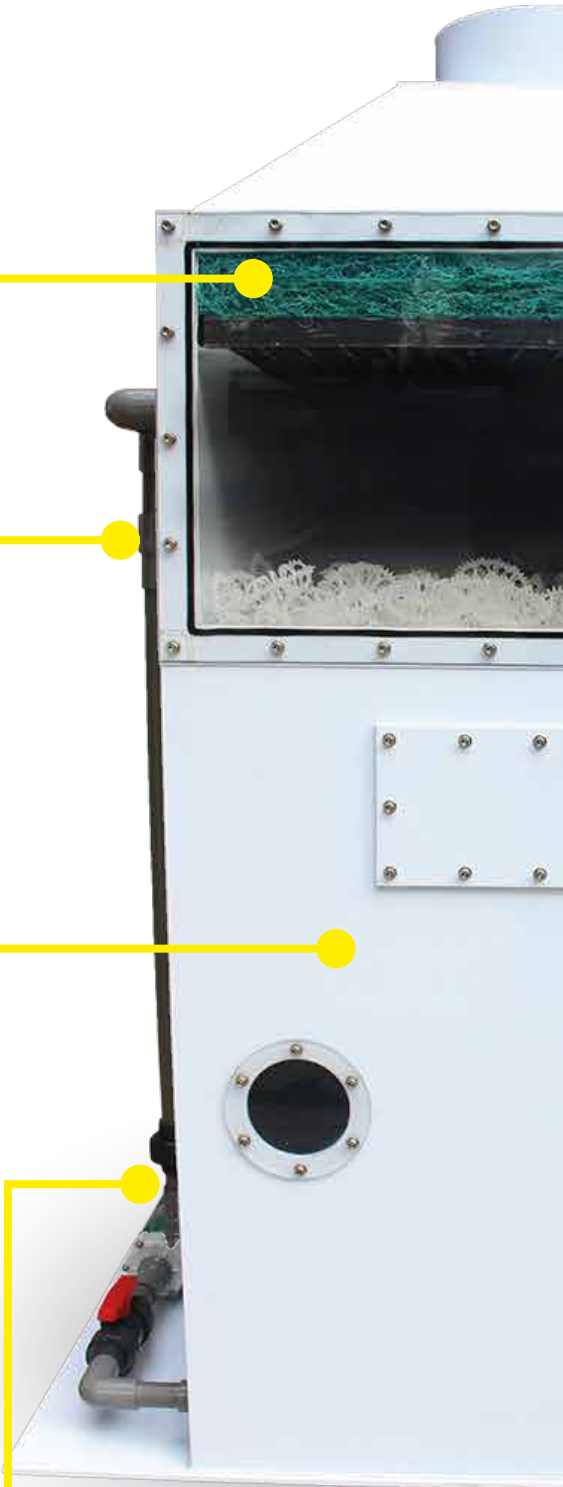
Demister



Auto water top-up



Chemical resistant pump





Full cone nozzles



PP injection moulded balls for high surface area to volume ratios



Quality fittings



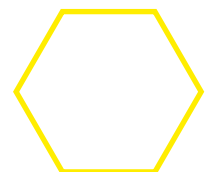
Models

MODEL	MINILAB®	MAXILAB®1000	MAXILAB®2000
Description	2 part system <ul style="list-style-type: none"> • Mini Scrubber (above hood) • Holding Tank (in base cabinet) 	Stand alone	Stand alone
Dimensions, mm (L x D x H)	Mini Scrubber <ul style="list-style-type: none"> • 600mm x 600mm x 800mm Holding Tank <ul style="list-style-type: none"> • 1000mm x 500mm x 500mm 	<ul style="list-style-type: none"> • 700mm x 700mm x 1500mm Excluding skid and plumbing connections	<ul style="list-style-type: none"> • 900mm x 900mm x 1800mm Excluding skid and plumbing connections
Construction	PVC or PP using "hot melt" fabrication techniques		
Scrubbing Media	Tellerettes® Tower Packing - has a unique patented toroidal helix design that makes them dramatically more efficient than conventional packings in a wide range of mass transfer and particulate collections applications <ul style="list-style-type: none"> • High solid particle loading • Constantly renews and exposes liquid to the gas flow • High efficiency • Injection moulded Polypropylene 		
Mist Eliminators	Advancelab mist eliminators remove liquid entrainment from gas streams, providing high efficiency and low-pressure drops		
Viewing Windows	1	2	2
Chemical Pump	Included		
Duct Connections	250 mm	250 mm	Please advise factory



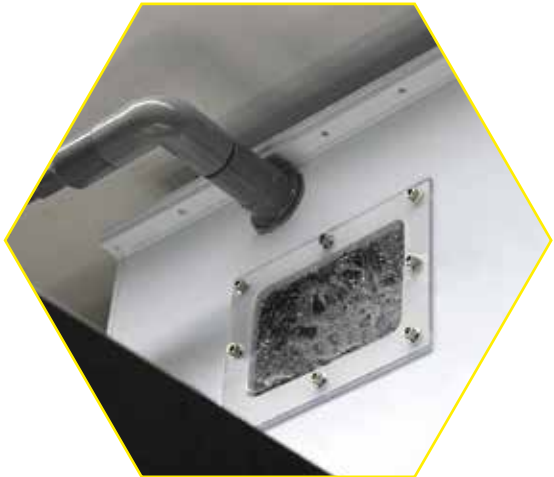
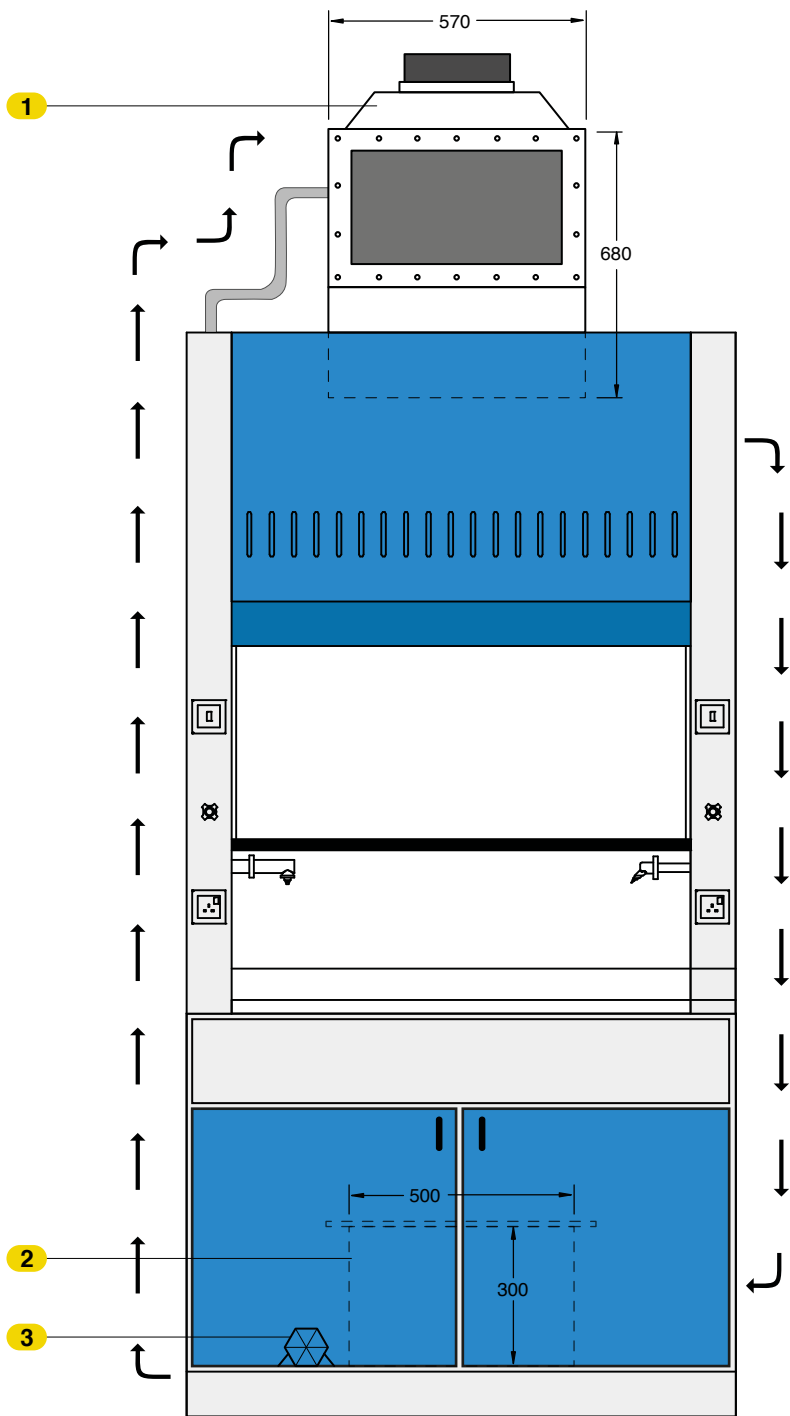
Upgrades available include:

- On-line pH apparatus
- Mixers
- Dosing pumps
- Remote control panels
- Building Management system tie in
- Maintenance programmes, please check with factory or local distributor



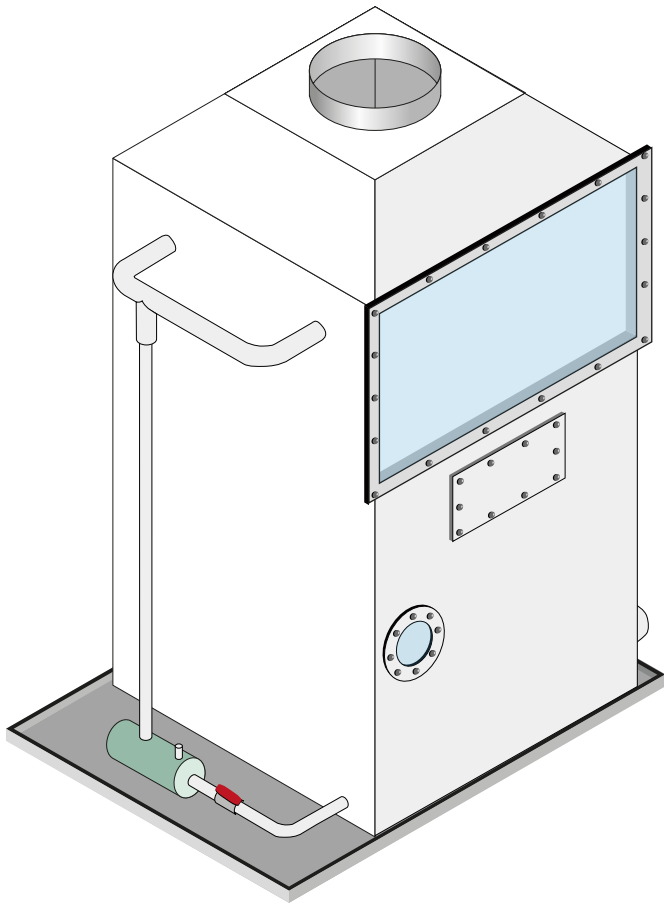
MiniLab[®] Wet Scrubber

Wet Scrubber



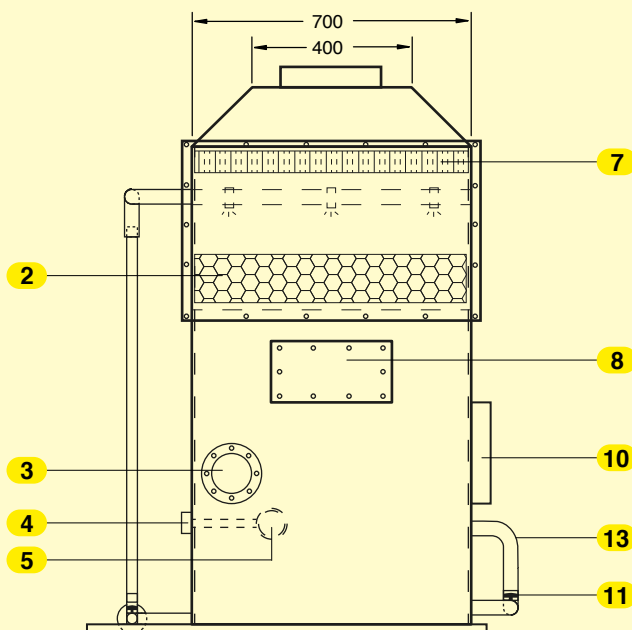
1. Mini Scrubber
(Spray Module)
2. Holding Tank
3. Chemical Pump

MaxiLab[®] 1000 Wet Scrubber

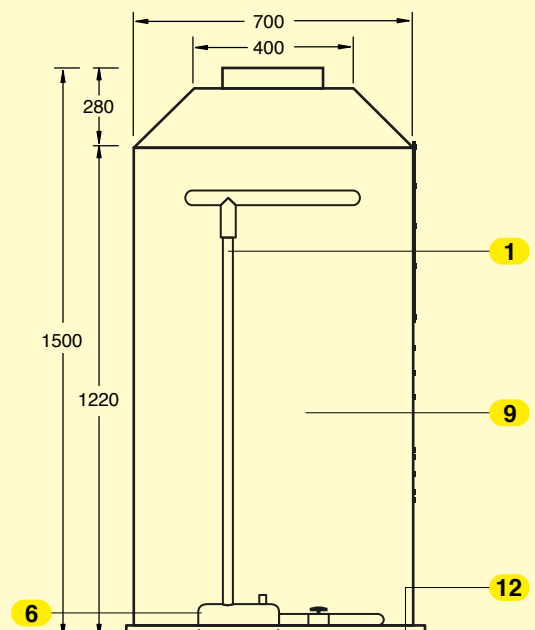


1. 25mm Dia PVC Pipe
2. Tellerette Scrubbing Media
3. Viewing Glass (Opening for Adjusting the Float)
4. 15mm Dia Incoming Water Supply
5. Water Float
6. Chemical Water Pump
7. 2" Thk Mist Eliminator
8. Opening for Changing Scrubbing Media
9. Holding Tank
10. Exhaust Outlet
11. 40mm Dia Discharge with a Ball Valve
12. PP Tray
13. Overflow Pipe

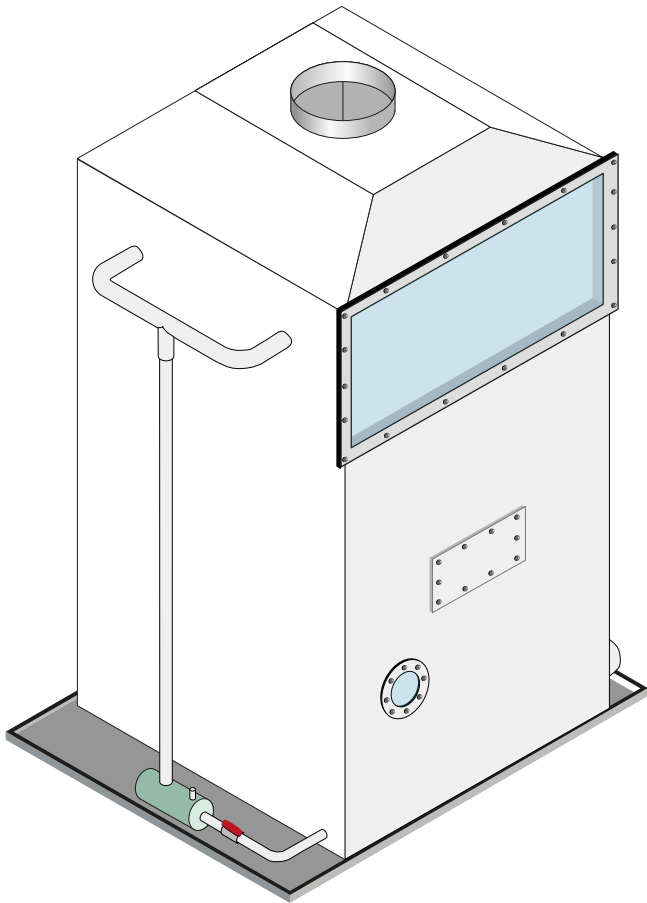
Front View



Side View

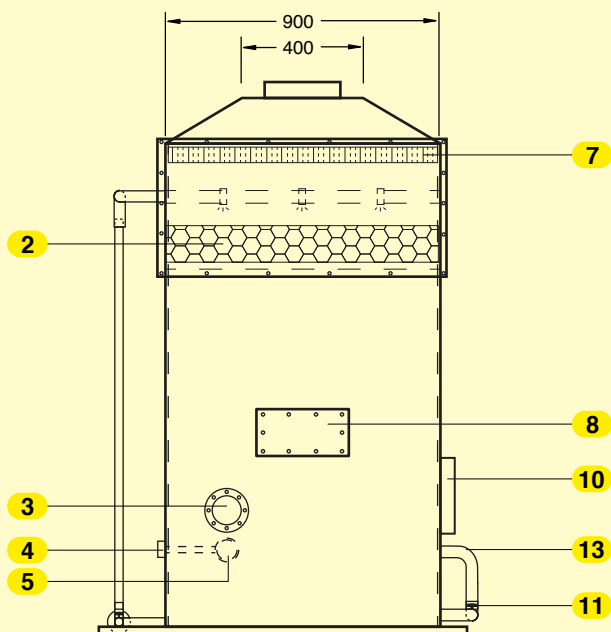


MaxiLab[®] 2000 Wet Scrubber

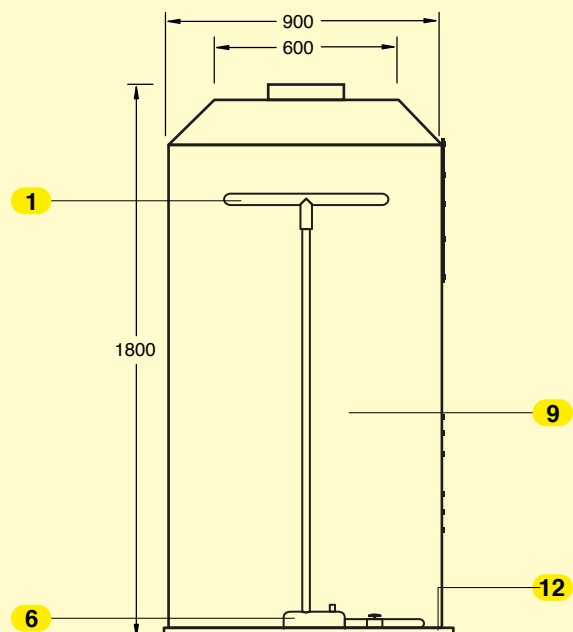


1. 25mm Dia PVC Pipe
2. Tellerette Scrubbing Media
3. Viewing Glass (Opening for Adjusting the Float)
4. 15mm Dia Incoming Water Supply
5. Water Float
6. Chemical Water Pump
7. 2" Thk Mist Eliminator
8. Opening for Changing Scrubbing Media
9. Holding Tank
10. Exhaust Outlet
11. 40mm Dia Discharge with a Ball Valve
12. PP Tray
13. Overflow Pipe

Front View



Side View



Warranty

Products Manufactured by Advancelab: Advancelab(S) Pte.Ltd., warrants products that it manufactures to be free from defects for a period of 12 months for parts, commencing from the date of shipment. Advancelab's sole responsibility is to repair or replace, at its option, any part of the product that proves defective or malfunctioning during this time limit. This warranty is void if the equipment is abused or modified by the customer, is operated outside Advancelab's operating instructions or specifications, or is used in any application other than that for which it is specified. This warranty does not include routine maintenance or service procedures, breakage, shipping damage, nor damage from misuse, intentional or unintentional abuse, neglect, natural disasters, or acts of God.

Freight Shortage or Damage: Upon receipt of any equipment from Advancelab, customer shall immediately unpack and inspect for damage or shortage. The customer shall not accept a damaged package or a short shipment until the carrier makes a "damage or shortage" notation on both the carrier's and customer's copy of the freight bill or delivery receipt. Service title passes when the shipment is loaded, so customer is responsible for filing and collecting a freight claim. Any replacement products must be ordered and paid for separately.

Generally, customers can improve the chance of collecting on a freight claim by following these procedures:

1. Formally requesting that the carrier inspect the shipment immediately upon suspecting damage or shortage to verify condition.
2. Notifying the carrier upon discovery of concealed damage and requesting an inspection within 15 days of receipt, both in person or phone and following up via mail.
3. Keeping the shipment as intact as possible, including retaining original packaging materials and keeping the product as close to the original receiving location as possible.
4. Holding salvage for disposition by the carrier.

All Claims: Advancelab (S) Pte.Ltd., expressly disclaims all other warranties, expressed or implied or implied by statute, including the warranties of merchantability or fitness for intended use. Advancelab is not responsible for consequential or incidental damages arising out of the purchase or use of the products supplied by Advancelab. Advancelab is not liable for damage to facilities, other equipment, products, property or personnel of others, or of their agents, suppliers, or affiliated parties, which is caused or alleged to have been caused by products supplied by Advancelab. In any event or series of events, Advancelab's total liability for any and all damages whatsoever is limited to the lesser of the actual damages or the original invoice cost of the items alleged to have caused the damage. The customer's sole and exclusive remedy for any cause of action whatsoever is repair or replacement of the non-conforming products or refund of the actual purchase price, at the sole option of Advancelab. All claims must be made in writing within 90 days of the date the product was shipped. Any claims not made within this time limit shall be deemed waived by the customer. Advancelab is not responsible for any additional costs of repair caused by poor packaging or in-shipment damage during return.

Warranty Returns: All warranty returns must be authorized in advance by Advancelab and approved by writing. Unless approved in advance for good reason, all returns must be in original condition, including all manuals, and must be packaged in original packaging materials. All returned goods are to be shipped to Advancelab, freight prepaid at customer's expense.



AdvanceLab has built a rock steady reputation for solutions where most fail. Since our establishment in 2003, we have positioned ourselves as the premier facility solution provider for the scientific industry; designing, building and delivering quickly and without fuss. We have also taken our brand of expertise globally; now with exports of laboratory casework, fume hoods, laminar flow cabinets and clean booths heading to 30 countries, covering all continents.



WET
SCRUBBER

Indonesia

PT. Advancelab Saintifik

Jl. Boulevard Raya Blok QJ 5 No. 23
Kelapa Gading, Jakarta Utara, Indonesia
Tel: +6221 45854570
Fax: +6221 45854570
Email: info-id@advancelab-global.com
Website: www.advancelab.com.sg

Malaysia

Advancelab Sdn Bhd

KL Office: Unit B-1-10, Block B, No. 2,
Jalan PJU 1A/7A, Oasis Square, Ara
Damansara, 47301 Petaling Jaya,
Selangor Darul Ehsan, Malaysia.
Tel: +603 7831 0188
Fax: +603 78310588
Email: info-my@advancelab-global.com
Website: www.advancelab.com.sg

Johor Factory: No. 3388, Jalan
Pekelling Tanjung 27/2, Kawasan
Perindustrian Indahpura, 81000
Kulaijaya, Johor, Malaysia.
Tel: +607 660 8877
Fax: +607 660 8866
Email: info-my@advancelab-global.com
Website: www.advancelab.com.sg

Myanmar

Advancelab Scientific & Engineering Co., Ltd

No(81/2), 7th Street, Than Thu Mar Road,
(14/1)Quarter, South Okkalapa Township,
Yangon, Myanmar.
Tel: +95 (1) 572393
Fax: +95 (1) 572393
Email: info-mm@advancelab-global.com
Website: www.advancelab.com.sg

Singapore

Advancelab (S) Pte Ltd

No.52 Senang Crescent,
Singapore 416619
Tel: +65 6448 8255
Fax: +65 6448 9833
Email: info@advancelab.com.sg
Website: www.advancelab.com.sg

Thailand

Advancelab (Thailand) Co., Ltd.

9/28, Village No 13, Bang Ramat
Sub-district, Taling Chan District,
Bangkok Metropolis, Thailand
Tel: +65 6448 8255
Fax: +65 6448 9833
Email: info-th@advancelab-global.com
Website: www.advancelab.com.sg

Indonesia • Malaysia • Myanmar • Philippines • Singapore • Thailand

