




Safety storage cabinet
S-CLASSIC-90 model S90.196.060
 warning yellow (RAL 1004), interior equipment with 3 x shelf,
 1 x perforated insert, 1 x bottom collecting sump (sheet steel powder-coated)
Order No. 30227-002-33659 
 (recirculating air filter system optional)



Safe and approved storage of flammable hazardous substances in working areas

Function / construction:

- **Robust construction and longevity:** triple hinged door, body made of powder-coated sheet steel, safety elements assembled outside the cabinet for increased protection against corrosion
- **User-friendly and safe (model .WDAS):** door open arrest system, convenient and safe removal or storage of containers
- **No unauthorised use:** door lockable with profile cylinder (integration in an existing locking system possible)
- **Easy alignment:** adjusting aids to compensate for uneven floor

- **Ventilation:** integrated air ducts ready for connection (DN 75) to a technical exhaust system

Available equipment:

- Drawers – high storage capacity, optimal use of the available storage capacities
- Sump inliner (PE or PP)
- Shelves with load capacity of 75 kg
- Storage box
- Perforated insert useable as storage area
- Metal-free tray shelves and collecting sumps
- Tray shelves with load capacity of 150 kg
- Bottom collecting sump



Metal-free interior equipment

Ideal for the storage of flammable, aggressive hazardous substances. Tray shelves with chemical resistant surface lamination and removeable plastic sump, bottom collecting plastic sump.



Drawers

High storage capacity
Ideal for the storage of small containers




Extraction unit

Safe ventilation of safety storage cabinets

Plug-in – fast and easy to install

Further information from page 505

Order No. 14218 



Adjusting aids

To compensate for uneven floor and an easy alignment

The ascocos HazMat Guide

... we have collected the most important information on storing and handling hazardous materials safely. Order your free copy now:

www.ascocos.global




Recirculating air filter system

Avoid complex wall break-throughs and expensive extraction piping

Further information from page 500



Order No. 25099 



Safety storage cabinet

S-CLASSIC-90 model S90.196.060.WDAS

light grey (RAL 7035), interior equipment with 4 x drawer (sheet steel powder-coated)

Order No. 30228-001-33681

Safety storage cabinet

S-CLASSIC-90 model S90.196.060.WDAS

warning yellow (RAL 1004), interior equipment with 6 x drawer (sheet steel powder-coated)

Order No. 30228-002-33683

Available colours:



001 002 005

PLEASE NOTE: interior equipment with drawers can only be ordered in combination with WDAS cabinets

Order example - how to order correctly



Model	Information / equipment	Order No.
S90.196.060	without interior equipment, left hinged	30227
S90.196.060.WDAS	without interior equipment, left hinged, with door open arrest system	30228
S90.196.060.R	without interior equipment, right hinged	30229
S90.196.060.WDASR	without interior equipment, right hinged, with door open arrest system	30230

Body colour	Door colour	Order No.
Light grey RAL 7035	light grey RAL 7035	001
Warning yellow RAL 1004	warning yellow RAL 1004	002
Laboratory white (sim. RAL 9016)	laboratory white (sim. RAL 9016)	005

Interior equipment packages (can only be ordered in combination with the cabinet)	Material	Order No.
3x shelf, 1x perforated insert, 1x bottom collecting sump (V=22.0L)	sheet steel powder-coated RAL 7035	Door hinge: left right 33659 34387
4x shelf, 1x perforated insert, 1x bottom collecting sump (V=22.0L)	sheet steel powder-coated RAL 7035	33660 34388
3x shelf, 1x bottom collecting sump (V=22.0L)	sheet steel powder-coated RAL 7035	33661 34389
4x shelf, 1x bottom collecting sump (V=22.0L)	sheet steel powder-coated RAL 7035	33662 34390
3x tray shelf (V=11.5L), 1x perforated insert, 1x bottom collecting sump (V=33.0L)	sheet steel powder-coated RAL 7035	33663 34391
3x shelf, 1x perforated insert, 1x bottom collecting sump (V=22.0L)	stainless steel	30257 33451
4x shelf, 1x perforated insert, 1x bottom collecting sump (V=22.0L)	stainless steel	30258 33452
3x shelf, 1x bottom collecting sump (V=22.0L)	stainless steel	30260 33454
4x shelf, 1x bottom collecting sump (V=22.0L)	stainless steel	30261 33455
3x tray shelf (V=11.5L), 1x perforated insert, 1x bottom collecting sump (V=33.0L)	stainless steel	30263 33457
4x tray shelf (V=11.0L), 1x bottom collecting sump (V=11.0L)	PP grey	30266 33460
3x tray shelf (V=11.0L), 1x bottom collecting sump (V=11.0L)	PP grey	30265 33459
4x drawer (V=4.5L)	sheet steel powder-coated RAL 7035	33681 34392
5x drawer (V=4.5L)	sheet steel powder-coated RAL 7035	33682 34393
6x drawer (V=4.5L)	sheet steel powder-coated RAL 7035	33683 34394
3x drawer (V=4.5L), 1x drawer (disposal) (V=75L), 1x bottom collecting sump (V=22.0L)	sheet steel powder-coated RAL 7035	30270 33464
4x drawer (V=4.5L), 1x drawer (disposal) (V=75L), 1x bottom collecting sump (V=22.0L)	sheet steel powder-coated RAL 7035	30271 33465
4x drawer (V=4.5L)	stainless steel	33686 34397
5x drawer (V=4.5L)	stainless steel	33687 34398
6x drawer (V=4.5L)	stainless steel	33688 34399
3x drawer (V=4.5L), 1x drawer (disposal) (V=75L), 1x bottom collecting sump (V=22.0L)	stainless steel	30275 33469
4x drawer (V=4.5L), 1x drawer (disposal) (V=75L), 1x bottom collecting sump (V=22.0L)	stainless steel	30276 33470



Individual configuration of model S90.196.060 / S90.196.060.WDAS



Model	Information / equipment	W x D x H (mm)	Order No.
S90.196.060	without interior equipment, left hinged	596 x 616 x 1968	30227
S90.196.060.WDAS	without interior equipment, left hinged, with door open arrest system	596 x 616 x 1968	30228
S90.196.060.R	without interior equipment, right hinged	596 x 616 x 1968	30229
S90.196.060.WDASR	without interior equipment, right hinged, with door open arrest system	596 x 616 x 1968	30230



Body colour	Door colour	Order No.
Light grey RAL 7035	light grey RAL 7035	001
Warning yellow RAL 1004	warning yellow RAL 1004	002
Laboratory white (sim. RAL 9016)	laboratory white (sim. RAL 9016)	005



Interior equipment	Material	W x D x H (mm)	1)	2)	3)	Order No.
Shelf						
	Shelf	sheet steel powder-coated RAL 7035	440 x 432 x 30*	75.00		30098 30098
		stainless steel	440 x 432 x 30*	75.00		30102 30102
	Tray shelf	sheet steel powder-coated RAL 7035	427 x 442 x 70*	150.00	11.50 10.45	30099 30099
		stainless steel	427 x 442 x 70*	150.00	11.50 10.45	30103 30103
	Tray shelf metal-free	PP grey	370 x 417 x 89*	50.00	11.00 10.00	30106 30106
Perforated insert						
	Perforated insert	sheet steel powder-coated RAL 7035	420 x 439 x 60	75.00		5555 5555
		stainless steel	420 x 439 x 60	75.00		5776 5776
	Perforated insert height = 180 mm	sheet steel powder-coated RAL 7035	438 x 453 x 180	75.00		17693 17693
	Perforated insert height = 170 mm	stainless steel	438 x 453 x 170	75.00		10254 10254
Bottom collecting sump						
	Bottom collecting sump	sheet steel powder-coated RAL 7035	442 x 457 x 130	22.00	20.00	33594 33594
		stainless steel	415 x 480 x 127*	22.00	20.00	30104 30104
	Bottom collecting sump height = 180 mm	sheet steel powder-coated RAL 7035	439 x 454 x 180*	33.00	30.00	33605 33605
	Bottom collecting sump height = 170 mm	stainless steel	439 x 504 x 171*	33.00	30.00	30105 30105
	Bottom collecting sump metal-free	PP grey	449 x 505 x 94	11.00	10.00	33828 33828
Drawer						
	Drawer	sheet steel powder-coated RAL 7035	345 x 500 x 50*	25.00	4.50 4.09	30108 33383
		stainless steel	345 x 500 x 50*	25.00	4.50 4.09	30110 33396
	Drawer (disposal)	sheet steel powder-coated RAL 7035	329 x 502 x 50*	50.00	7.50 6.82	30109 33399
		stainless steel	329 x 502 x 50*	50.00	7.50 6.82	30111 33400
Accessories						
	Storage box left hinged	sheet steel powder-coated RAL 7035	380 x 420 x 360			30029 30029
	Storage box right hinged	sheet steel powder-coated RAL 7035	380 x 420 x 360			30030 30030
	Sump inliner	PP grey	353 x 406 x 88*	11.50	10.45	9706 9706
	Sump inliner for drawer disposal	PP black	313 x 413 x 175*	18.50	16.82	18474 18474
	Sump inliner for drawer	PP undyed	318 x 449 x 66*	8.50	7.73	18472 18472
	Anti-slip rubber mat for drawer supply	black	495 x 340 x 1			8719 8719
	Pipe lead-through	sheet steel powder-coated RAL 7035	182 x 104 x 48			30035 30035
	Box for chemicals	PP blue	410 x 300 x 260			30038 30038
	Document holder DIN A5	polystyrene				30793 30793



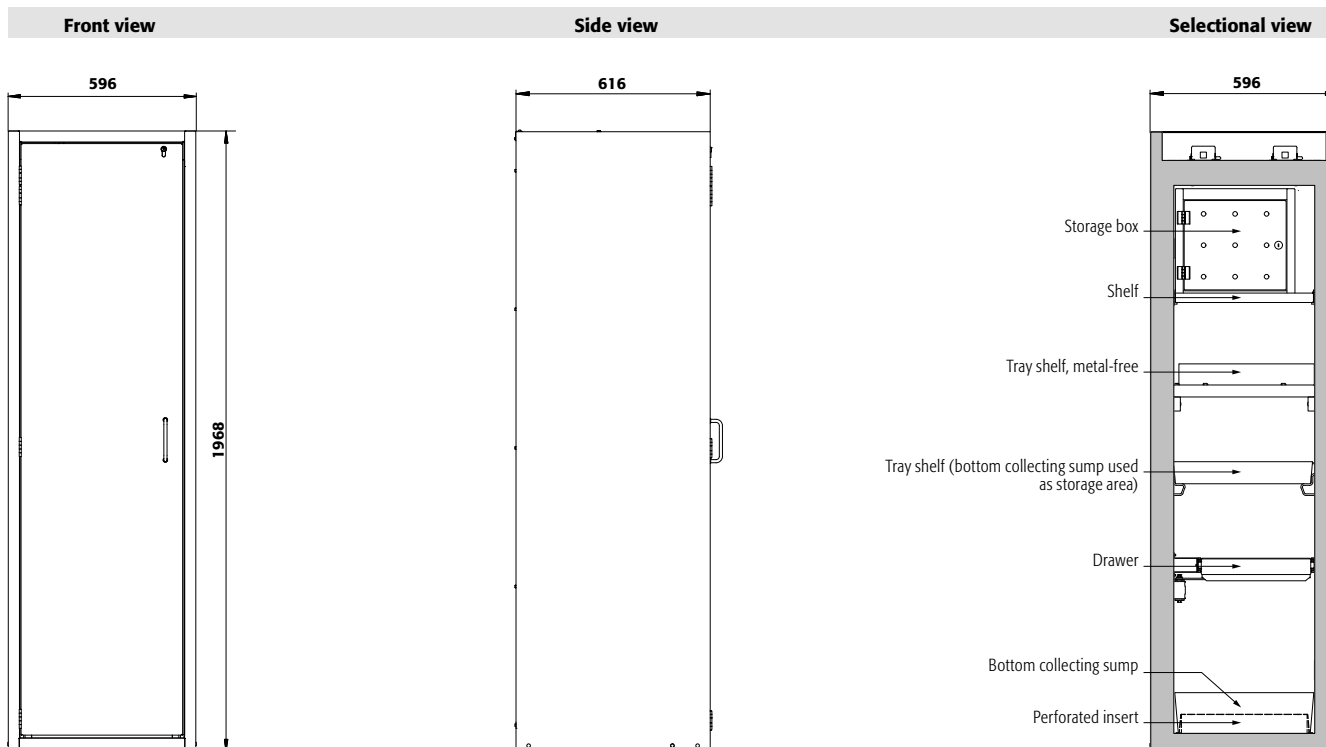
Ventilation	Order No.
Extraction unit without exhaust air monitoring	14218
Extraction unit with exhaust air monitoring	14220
Recirculating air filter system with exhaust air monitoring	25099

* usable storage space W x D (mm)

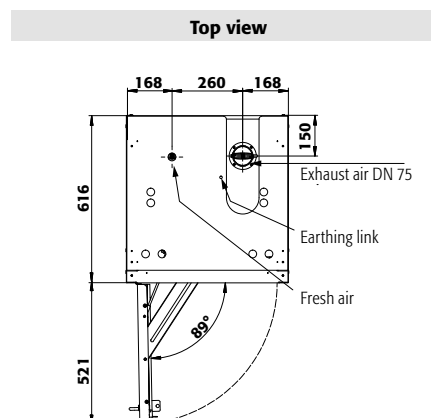
1) load capacity [kg], 2) retention capacity [ltr], 3) maximum container volume in the cabinet [ltr]

PLEASE NOTE:

drawers are only available
in combination with
WDAS. cabinets



Technical data	S90.196.060(WDAS)
External dimensions W x D x H	mm 596 x 616 x 1968
Internal dimensions W x D x H	mm 450 x 524 x 1742
Weight without interior equip.	kg 260
Air change 10 times	m ³ /h 4
Diff. pressure (air change 10 times EK5/AK4)	Pa 5
Diff. pressure (air change 10 times)	Pa 5
Maximum load	kg 600
Distributed load	kg/m ² 893
Transport base optional	
Entry height	mm 95
Entry width	mm 2 x 224



S90.196.060(WDAS)		Standard storage heights of the drawers									
Drawers/number		9	8	7	6	5	4+1	4	3+1	3	2
Distance ⑨ (mm)	175										
Distance ⑧ (mm)	135	175									
Distance ⑦ (mm)	135	200	175								
Distance ⑥ (mm)	135	200	200	270							
Distance ⑤ (mm)	170	200	200	230	335	270					
Distance ④ (mm)	170	170	200	230	330	200	365	300			
Distance ③ (mm)	170	170	230	230	295	230	390	330			
Distance ② (mm)	170	170	230	230	265	230	390	330			
Distance ① (mm)	200	200	265	330	330	540	425	540			
S90.196.060(WDAS)		Standard storage heights of the shelves									
Shelves/number		4			3			2			
Distance ④ (mm)	460										
Distance ③ (mm)	285						490				
Distance ② (mm)	315						380				
Distance ① (mm)	315						315				
S90.196.060(WDAS)		Storage capacities per drawer/type of container									
Quantity	Type of container	Container size									
30	Aerosol cans	400 ml									
12	Cans	1 litre									
12	Laboratory glass bottles	1 litre									
12	Laboratory PE-bottles	1 litre									
6	Laboratory glass bottles	2.5 litres									

