

**Safety storage cabinet Q-CLASSIC-90**  
**Model Q90.195.120, body colour anthracite grey**  
**(RAL 7016), with wing doors in gentian blue (RAL 5010)**

**Safe and approved storage of flammable hazardous substances in working areas**

**Function / construction:**

- **Robust construction and longevity:** triple hinged door, safety elements assembled outside the storage compartment for increased protection against corrosion, scratch- and impact-resistant surface, easy to clean
- **No unauthorised use:** doors lockable with cylinder locking (integration in an existing locking system possible) and locking state indicator (red/green)
- **Easy transport:** integrated transport base with removable, optional base cover
- **Easy alignment:** adjusting aids to compensate for uneven floor
- **Ventilation:** integrated air ducts ready for connection (DN 75) to a technical exhaust system, spinning wheel in the exhaust grid as an indicator of sufficient technical ventilation

**Dimensions**

<b>Width (external)</b>	1193 mm
<b>Depth (external)</b>	615 mm
<b>Height (external)</b>	1953 mm
<b>Width (internal)</b>	1050 mm
<b>Depth (internal)</b>	522 mm
<b>Height (internal)</b>	1647 mm

The available internal dimensions can vary depending on the interior equipment package.

**Weight / Load**

<b>Weight without interior equipment</b>	424 kg
<b>Distributed load</b>	531 kg/m <sup>2</sup>
<b>Maximum load</b>	600 kg

**Ventilation**

<b>Extraction air</b>	75 DN
<b>minimum exhaust air quantity 10 times</b>	9 m <sup>3</sup> /h
<b>Pressure drop inside the cabinet</b>	5 Pa

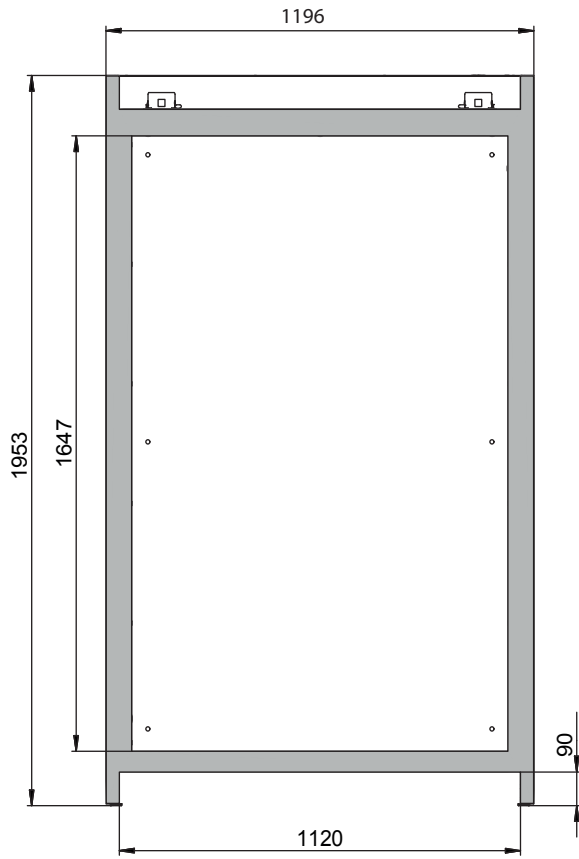
**Colouring / Surface finish**

<b>Body colour code</b>	RAL 7016
<b>Body colour</b>	anthracite grey
<b>Body surface finish</b>	textured
<b>Door / Drawer colour code</b>	RAL 5010
<b>Door / Drawer colour</b>	Gentian blue
<b>Door / Drawer surface finish</b>	textured

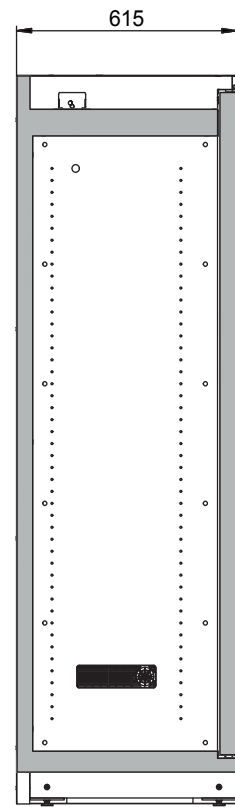
**General Information**

<b>Number of doors</b>	2
<b>Door opening angle</b>	89.50°
<b>Depth with open doors</b>	1165 mm
<b>Interior grid dimension</b>	32 mm
<b>Entry width transport base</b>	1120 mm
<b>Entry height transport base</b>	90 mm
<b>Customs tariff number</b>	94032080

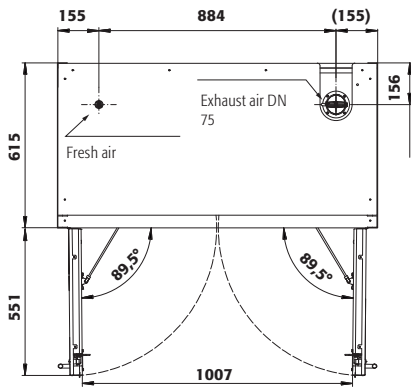
Front view



Side view



Top view



For further information please visit [www.asecos.com](http://www.asecos.com)