



**Cabinet for chemicals**  
**CS-CLASSIC model CS.195.105**  
body colour anthracite grey (RAL 7016), with wing doors in light grey (RAL 7035), interior equipment with 3 x shelf, 1 x perforated insert, 1 x bottom collecting sump (sheet steel galvanised)  
**Order No. 30495-041-30508**



**Safe and proper storage of non-flammable chemicals and toxic substances in working areas**

**Function / construction:**

- **Robust construction and longevity:** robust, high-quality, scratch-resistant outer body with powder-coated textured surface
- **No unauthorised use:** doors lockable with cylinder locking (integrated in the turning handle)
- **Easy alignment:** adjusting aids to compensate for uneven floor
- **Ventilation:** natural ventilation due to ventilation openings at the cabinet bottom, ready for connection to a technical exhaust system

**Available equipment:**

- Bottom collecting sump – optionally in galvanised or painted version, liquid-tight
- Shelves – optionally in galvanised or powder-coated version, height adjustable
- Perforated insert useable as storage area
- Pull-out shelves with removable plastic sump



**Store toxic and small quantities of flammable substances in one cabinet!**

Our cabinets for chemicals incl. type 30 safety box offer a storage solution compliant to legislation.

Further information from page 396



**Cabinet for chemicals**  
**CS-CLASSIC-G model CS.195.105.WDFW**  
body colour anthracite grey (RAL 7016), with glass-paneled wing doors in pure white (RAL 9010), interior equipment with 4 x pull-out shelf (sheet steel powder-coated/PP)  
**Order No. 30496-050-30516**



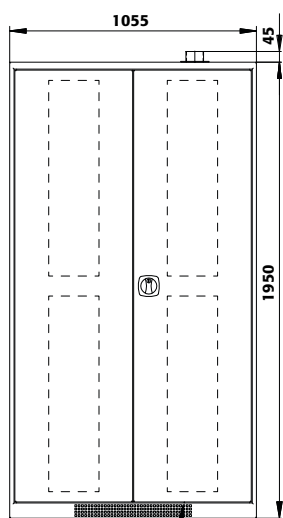
**Cabinet for chemicals**  
**CS-PHOENIX model CS.195.105.FD**  
body colour anthracite grey (RAL 7016), with folding doors in light grey (RAL 7035), interior equipment with 3 x shelf, 1 x perforated insert, 1 x bottom collecting sump (sheet steel galvanised)  
**Order No. 30497-041-30508**



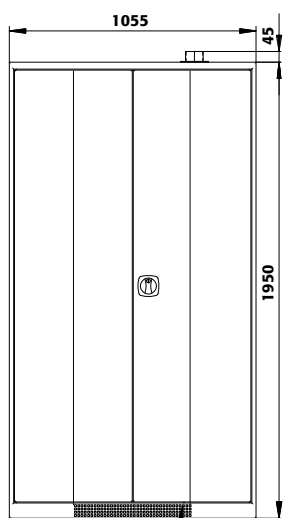
**Cabinet for chemicals**  
**CS-CLASSIC model CS.195.105**  
body colour anthracite grey (RAL 7016), with wing doors in gentian blue (RAL 5010), interior equipment with 3 x shelf, 1 x perforated insert, 1 x bottom collecting sump (sheet steel galvanised)  
**Order No. 30495-047-30508**



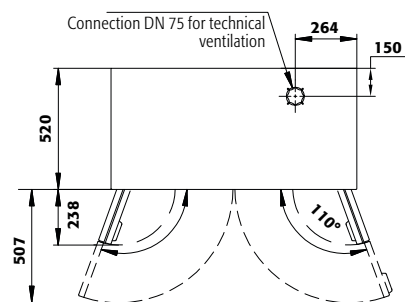
Front view



Side view



Top view



**Technical data**

External dimensions W x D x H  
Internal dimensions W x D x H  
Weight without interior equip.  
Extraction air

**All models**

1055 x 520 x 1950 mm  
996 x 493 x 1835 mm  
75 kg  
75 DN

**Technical data**

Air change **10 times**  
Diff. pressure (air change **10 times**)  
Maximum load  
Distributed load

**All models**

9 m<sup>3</sup>/h  
2 Pa  
600 kg  
421 kg/m<sup>2</sup>

7 door colours are available **at no extra cost:**



**Order example - how to order correctly**



Model	Information / equipment	Order No.
CS.195.105	without interior equipment with wing doors	30495
CS.195.105.WDFW	without interior equipment with glass-paneled wing doors	30496
CS.195.105.FD	without interior equipment with folding doors	30497

Body colour	Door colour	Order No.
Anthracite grey RAL 7016	warning yellow RAL 1004	040
Anthracite grey RAL 7016	light grey RAL 7035	041
Anthracite grey RAL 7016	traffic red RAL 3020	046
Anthracite grey RAL 7016	gentian blue RAL 5010	047
Anthracite grey RAL 7016	reseda green RAL 6011	048
Anthracite grey RAL 7016	asecos silver	049
Anthracite grey RAL 7016	pure white RAL 9010	050

Interior equipment packages (can only be ordered in combination with the cabinet)	Material	Order No.
3x shelf, 1x perforated insert, 1x bottom collecting sump (V=33.0L)	sheet steel galvanised	30508
3x shelf, 1x bottom collecting sump (V=33.0L)	sheet steel galvanised	30509
3x shelf, 1x perforated insert, 1x bottom collecting sump (V=33.0L)	sheet steel powder-coated, sheet steel galvanised	30510
3x shelf, 1x bottom collecting sump (V=33.0L)	sheet steel powder-coated, sheet steel galvanised	30511
3x shelf, 1x bottom collecting sump with grid (V=33.0L)	sheet steel galvanised, sheet steel galvanised and coated blue	30512
3x shelf, 1x bottom collecting sump with grid (V=33.0L)	sheet steel powder-coated, sheet steel galvanised and coated blue	30513
3x shelf, 1x bottom collecting sump with grid (V=66.0L)	sheet steel galvanised, sheet steel galvanised and coated blue	30514
3x shelf, 1x bottom collecting sump with grid (V=66.0L)	sheet steel powder-coated, sheet steel galvanised and coated blue	30515
4x pull-out shelf (V=33.0L)	sheet steel powder-coated/PP RAL 7035	30516
5x pull-out shelf (V=33.0L)	sheet steel powder-coated/PP RAL 7035	30517
6x pull-out shelf (V=33.0L)	sheet steel powder-coated/PP RAL 7035	30518

Interior equipment	Material	W x D x H (mm)	1)	2)	3)	Order No.
Shelf	sheet steel galvanised	993 x 492 x 30	100.00			30519
Shelf	sheet steel powder-coated	993 x 492 x 30	100.00			30520
Perforated insert	sheet steel galvanised	976 x 427 x 41	60.00			30521
Bottom collecting sump	sheet steel galvanised	978 x 430 x 85*	33.00	30.00		30522
Bottom collecting sump with grid	sheet steel galvanised and coated blue	984 x 424 x 106*	33.00	30.00		30523
Bottom collecting sump with grid	sheet steel galvanised and coated blue	984 x 382 x 175*	66.00	60.00		30524
Pull-out shelf with PP-sump	sheet steel powder-coated/PP RAL 7035	888 x 415 x 107*	30.00	30.00		30525
Box for chemicals	PP blue	410 x 300 x 260				30038

Accessories	Order No.
Extraction unit without exhaust air monitoring	14218

\* usable storage space W x D (mm)  
1) load capacity [kg], 2) retention capacity [ltr], 3) maximum container volume in the cabinet [ltr]

C-LINE